

TORNADO INDUSTRIES, LLC  
3101 WICHITA COURT  
FORT WORTH, TX 76140  
PHONE: 800-VACUUMS  
FAX: 817-551-0719  
WWW.TORNADOVAC.COM



---

## Operations & Maintenance Manual



**MODEL NO.**  
**99685 BR 18/11**

## TABLE OF CONTENTS

TECHNICAL DESCRIPTION.....	1	STOP OF THE MACHINE AFTER CLEANING OPERATION.....	9
WARRANTY .....	2	DAILY MAINTENANCE.....	9-10
SAFETY INSTRUCTIONS.....	3	Recovery tank cleaning.....	9
FEATURES INSTRUMENT BOARD AND CONTROLS.....	4	Float cleaning.....	9
FEATURES OF MACHINE.....	4	Brush cleaning.....	9
INTRODUCTORY COMMENT.....	4	Brush disassembly.....	9
SYMBOLS.....	5	Squeegee cleaning.....	10
BEFORE USE.....	5	WEEKLY MAINTENANCE.....	10
Unpacking the machine.....	5	Rear squeegee rubber replacement.....	10
BATTERY INSTALLATION		Squeegee hose cleaning.....	10
AND SETTING THE BATTERY TYPE .....	6-7	Cleaning of solution tank and filter.....	10
Battery charger.....	6	TWO-MONTH MAINTENANCE.....	10
Battery disposal.....	6	Front squeegee rubber replacement.....	10
Battery recharging.....	6	TROUBLESHOOTING GUIDE.....	11
Battery charge level indicator.....	7	Signals on the display.....	11
HOUR METER.....	7	The suction motor does not work.....	11
SQUEEGEE ASSEMBLY.....	7	The brush motor does not work.....	11
Adjustment of the squeegee height.....	7	Insufficient water on the brush.....	11
Adjustment of the squeegee inclination.....	7	The machine does not clean properly.....	11
BRUSH ASSEMBLY.....	7-8	The squeegee does not dry perfectly.....	11
RECOVERY TANK.....	8	Excessive foam production.....	11
DETERGENT SOLUTION TANK.....	8	PROGRAMMED MAINTENANCE.....	12
FLOOR CLEANING.....	8-9		
Connecting battery to the machine .....	8		
Starting the machine.....	8		
Brush pressure adjustment.....	8		
Overflow device.....	8		
Emptying detergent solution.....	9		
Forward movement.....	9		
Stop.....	9		

## TECHNICAL DESCRIPTION

<b>Model</b>	BR 18/11
<b>Machine Dimensions</b>	
L X W X H	43" X 21" X41"
Net Weight	157lbs.
Solution / Recovery Tank	11 gal. / 12 gal.
Squeegee Width	31"
<b>Design Characters</b>	
Tank Construction	Polyethylene
<b>Cleaning System</b>	
Brush Type	Cylindrical
Brush Width	18"
Brush RPM	1300
Brush Pressure	50 lbs.
Cleaning Path	18"
<b>Productivity</b>	
Cleaning Rate (Sq. Ft Per Hour)	5000
<b>Motors</b>	
Vacuum Motor	.6 hp
Brush Motor	.6 hp
Sound Level	66 dB
<b>Battery</b>	
Voltage	24



## Long Term Buyer Protection Limited Warranty

Tornado Industries, LLC. (Tornado) warrants to the end/user customer that the Tornado product(s) will be free from defects in material and workmanship for the duration(s) described below. This limited warranty DOES NOT cover machines and/or components subject to normal wear and tear, damage that occurs in shipping, failures resulting from modification, accident, unsuitable operating environment, misuse, abuse, neglect, or improper maintenance by you. For full details, contact your Authorized Tornado Distributor, Service Center, or the Tornado Technical Service Department. Tornado sales and service representatives are not authorized to waive or alter the terms of this warranty, or to increase the obligations of Tornado under the warranty.

**10 Years\***

**Plastic water tanks and Rotationally-molded bodies**

**2 Years\***

**Parts on all Tornado cleaning equipment**

**1 Year\***

**Labor on all Tornado cleaning equipment**

**1 Year\***

**Warranty on batteries, one year prorated**

All battery warranties are handled directly by the battery manufacturer, on a one year prorated basis

### Terms subject to change without notice

1. Except all Windshears™ Blowers, Storm, TV2SS, Side and Downdraft, Insulation Blowers, CV 30, CV 38, CK14/1 PRO, CK 14/2 PRO, SWM 31/9, CK LW13/1, CK LW 13/1 ROAM, CV 38/48 Dual, PV6, PV10, PV6 ROAM, Wall Mount Vacuum and all chargers are warranted for 1 (one) year for both parts and labor.
2. All non-wear item parts purchased after warranty expiration are warranted for 90 days.
3. Warranty starts from the date of sale to the consumer or, at Tornado's discretion, 6 months after the dealer purchased the unit from Tornado, whichever comes first.
4. The EB 30 is warranted for a period of 90 days for both parts and labor.
5. The warranty on engines used on propane powered equipment is limited to motor manufacturer's warranty.
6. Ride-on Scrubbers are warranted for 24 months, parts, 6 months labor or 1,000 hours, whichever occurs first.

**Note:** Tornado, The Latest Dirt, Floorkeeper, Carpetkeeper, Carpetrinser, Carpetrinser/Dryer, Headmaster, Taskforce, PAC-VAC, T-Lite, Glazer, Windshear, Max-Vac and Trot-Mop are trademarks of Tornado Industries

**Website:** [www.tornadovac.com](http://www.tornadovac.com)  
Phone 1-800-VACUUMS  
Fax 817-551-0719  
Address 3101 Wichita Court  
Fort Worth, TX 76140



## **GENERAL SAFETY RULES**

The rules below have to be followed carefully in order to avoid injuries to the operator and damages to the machine.

- Read the labels carefully on the machine. Do not cover them for any reason and replace them immediately if damaged.
- The machine must be used exclusively by authorized staff who has been instructed for its use.
- During the working of the machine, pay attention to other people, especially children.
- Do not mix different detergents, avoid harmful odors.
- Do not place any liquid containers onto the machine.
- Storage temperature: between 33°F and +110°F.
- Perfect operating temperature: between 33°F and 104°F.
- The humidity should be between 30 and 95%.
- Do not use the machine in an explosive atmosphere.
- Do not use the machine as a means of transport.
- Do not use acid solutions that could damage the machine and/or injure people.

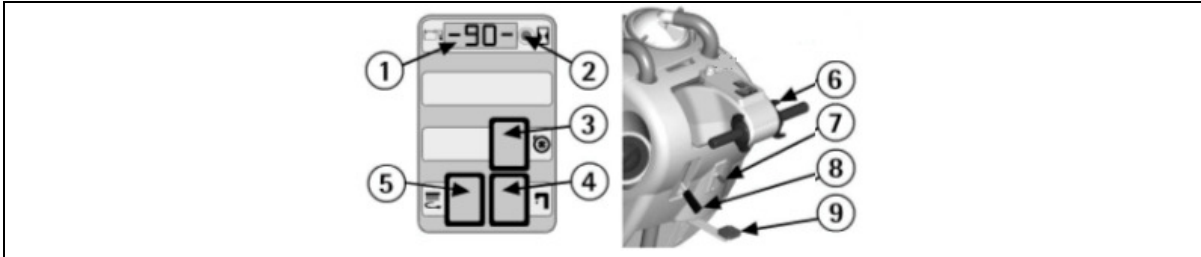
- Avoid working with the brush when the machine stands still in order to prevent floor damages.
- Do not use the machine on surfaces covered with inflammable liquids or dust (for example hydrocarbons, ashes or soot).
- In case of a fire, use a powder fire extinguisher. Do not use water.
- Do not strike shelvings or scaffoldings, where there is danger of falling objects.
- Adapt the working speed to the adhesion conditions.
- The machine has to carry out simultaneously the operations of washing and drying.
- Signal the areas of wet floors with suitable signs.
- If the machine does not work properly, check by conducting simple maintenance procedures. Otherwise, ask for technical advice to an authorized assistance center.
- Where parts are required, ask for ORIGINAL spare parts to the distributor and/or to an authorized dealer.
- Use only ORIGINAL brushes.
- For any cleaning and/or maintenance operations, take off the power supply from the machine.

- Do not remove covers on areas that require the use of tools.
- Do not wash the machine with direct water jets or with high water pressure, nor with corrosive material.
- Every 200 working hours have a machine checked through an authorized service department.
- In order to avoid scales on the solution tank filter, do not fill the detergent solution many hours before the machines' use.
- Before using the machine, check that all panels and coverings are in the position as indicated in this use and maintenance catalog.
- Be sure the recovery tank is empty before removing it.
- Restore all electrical connections after any maintenance operation.
- Provide for the scrapping of the material of normal wear following strictly the respective rules.
- When your machine has to stop activity, provide for the appropriate waste disposal of its materials, especially oils, battery and electronic components. Consider that the machine itself has been constructed by recyclable materials.



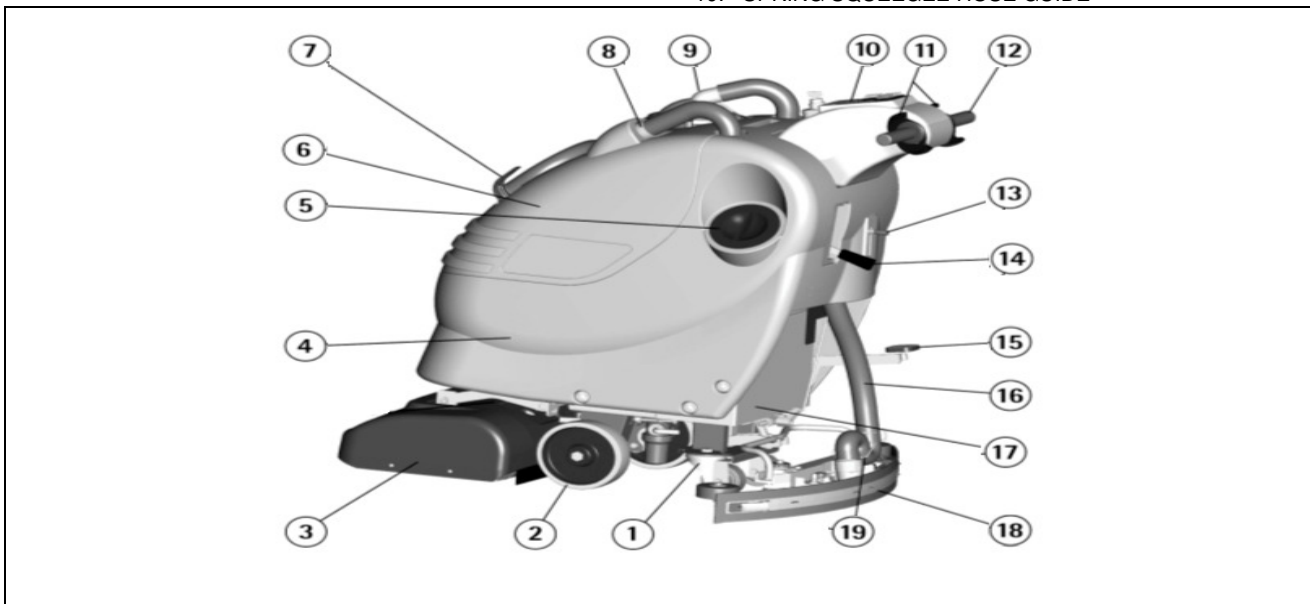
## LEGEND INSTRUMENT BOARD AND CONTROLS

- |   |                             |
|---|-----------------------------|
| 1. CHARGE LEVEL DISPLAY: BATTERIES/HOUR METER | 5. BRUSH MOTOR SWITCH       |
| 2. VISUALIZATION PUSH BUTTON: HOUR/METER      | 6. BRUSH ACTIVATION LEVERS  |
| 3. SUCTION MOTOR SWITCH                       | 7. SOLUTION VALVE LEVER     |
| 4. SOLUTION VALVE OPEN SIGNAL LAMP            | 8. SQUEEGEE LIFTING LEVER   |
|   | 9. BRUSH HEAD LIFTING PEDAL |



## LEGEND MACHINE

- |   |                                |
|---|--------------------------------|
| 1. CASTER WHEELS                          | 10. INSTRUMENT BOARD           |
| 2. WHEELS                                 | 11. BRUSH ACTIVATION LEVER     |
| 3. BRUSH HEAD                             | 12. HANDLE BARS                |
| 4. SOLUTION TANK                          | 13. SOLUTION VALVE LEVER       |
| 5. SCREW CAP FOR INLET DETERGENT SOLUTION | 14. SQUEEGEE LIFTING LEVER     |
| 6. RECOVERY TANK                          | 15. BRUSH HEAD LIFTING PEDAL   |
| 7. RECOVERY TANK DRAIN HOSE               | 16. SUCTION HOSE               |
| 8. INLET OPENING SUCTION HOSE             | 17. BATTERY                    |
| 9. FLOAT ASSEMBLY COVER                   | 18. SQUEEGEE ASSEMBLY          |
|   | 19. SPRING SQUEEGEE HOSE GUIDE |



## INTRODUCTORY COMMENT

Thank you for having chosen our machine. This floor-cleaning machine is used for industrial and commercial cleaning and is able to clean any type of floor. During its forward movement, the combined action of the brush and the detergent solution removes the dirt that is aspirated through the rear suction assembly, giving a dry surface.

The machine must be used only for such purposes. It gives the best performance if it is used correctly and maintained in perfect condition. We therefore ask you to read this instruction booklet carefully whenever difficulties arise in the course of the machine's use.

## SYMBOLS



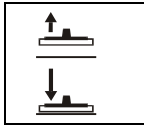
Symbol denoting the solution valve.  
Indicates the solution valve lever. Indicates the signal lamp of the open solution valve.



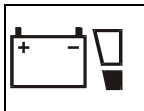
Symbol denoting the brush.  
Indicates the switch of the brush motor.



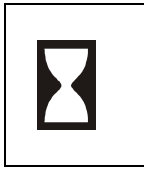
Symbol denoting the suction motor.  
Indicates the switch of the suction motor.



Symbol denoting up – down of the squeegee.  
Indicates the squeegee lever.



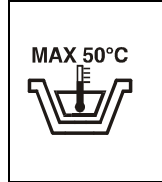
Symbol denoting the charge level of the battery.



Symbol denoting the hour meter.



Indicates the exhaust hose of the recovery tank.



Indication of the maximum temperature of the solution detergent.  
It is placed near the charging hole of the solution tank.



Symbol denoting the open book.  
Indicates that the operator has to read the manual before the use of the machine.



Warning symbol.  
Read carefully the sections marked with this symbol, for the security of both the operator and the machine.

## BEFORE USE

### *Handling of the packed machine*

The machine is supplied with suitable packing for forklift truck handling.

The total weight is 209 lbs.

Packing dimensions:

Base: 46.26 in. x 26.18 in.

Height: 46.65 in.

#### **ATTENTION:**

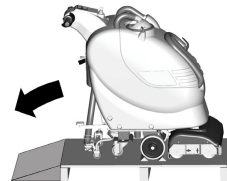
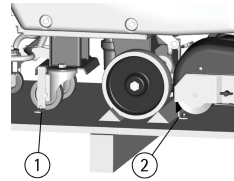
**Do not place more than 2 pallets on top of each other.**

### *Unpacking the machine*

1. Remove the external packing.
2. Unscrew the brackets (1+2) that secure the machine to the pallet.

3. Move the machine backwards, as indicated in figure, avoiding heavy contacts to mechanical parts.

4. Keep the pallet for future transport.



## Battery installation and setting the battery type

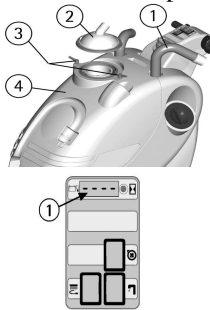
This machine is equipped with two batteries at 12V in series connection, placed in its appropriate compartment under the recovery tank. It must be handled using suitable lifting equipment (due to weight and coupling system).

The connection of the battery cables has to be carried out by specialized staff, because the inversion of polarity causes damage of the electrical components. Before the machine is supplied with power, check that the red cable is connected to the positive (+) pole of the battery.



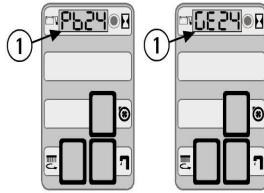
For battery installation, proceed as follows:

1. Take off the squeegee hose (1).
2. Take off the suction cover (2) after turning the blocking levers (3).
3. Take off the recovery tank (4).
4. Place the battery in its compartment.
5. Connect the terminals, respecting the polarities, avoiding contact with other parts that could create short circuit.
6. Reassemble all parts.



**ATTENTION:**  
In case of GEL battery installation, it is necessary to set the battery check card.

Please contact an authorized technical assistant.



**ATTENTION:**  
Strictly follow manufacturer/distributor indications for the maintenance and daily recharge of the battery. Specialized staff, using suitable protection and accessories, must execute all installation and maintenance operations.

### Battery charger

Be sure that the battery charger is suitable for the installed battery both for their capacities and for type GEL and equivalent.

**ATTENTION:**  
Qualified staff must carry out this operation. A wrong or faulty cable connection can create serious damage to persons or things.

### Battery recharging

Bring the machine on a leveled surface.

Plug in battery connector (1) placed in the rear part of the machine, to connector (3) of the battery charger.

**ATTENTION:**  
Never charge a GEL battery with a non-suitable charger. Strictly follow the instructions supplied by the battery and charger manufacturer. In order not to cause permanent damage to the battery, it is necessary to avoid their complete discharge. Provide recharging within a few

minutes after battery discharge signal starts blinking.

**NOTE:** Never leave battery completely discharged even if the machine is not used. In case of a traditional battery, please check the electrolyte level every 20 recharging cycles and eventually fill them up with distilled water.

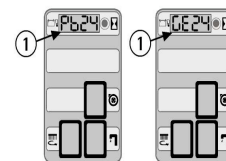
**ATTENTION:**  
For the daily recharge of the battery, it is necessary to follow strictly all the indications given by the manufacturer/distributor. Qualified staff must carry out all the installation and maintenance operations. Danger: Gas exhalations, emission of corrosive liquids. Do not approach in case of fire.

### Battery disposal

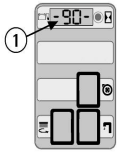
Dispose the battery properly.

### Battery charge level indicator

WHEN THE MACHINE IS SWITCHED ON, THE DISPLAY (1) SHOWS THE SETTING OF THE BATTERY CHECK CARD: GE 24: check card set for GEL battery.



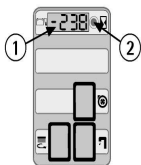
On the display (1) the following indication of the battery charge level is digital and indicates the percentage of the battery charge. 90 is the maximum charge, down to a minimum of 10, indicating every 10% decrease. When the charge level reaches 10%, the display starts blinking indicating the end of the battery charge.



**ATTENTION:**  
After a few seconds from the four blinking “----” dashes, the brush motor stops automatically. It is possible to finish the drying operation before proceeding to the recharge.

### Hour meter

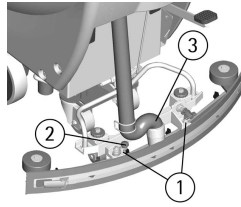
The machine is equipped with an hour meter located on the same display of the battery's charge level indicator (1). Keep the button (2) pressed for more than 3 seconds, the first data indicates the working hours and after a few seconds, the working minutes are shown.



### Squeegee assembly

With the squeegee support lowered, slide the two stud bolts (1) placed on the upper part of the squeegee inside the slots on the support. Block the squeegee by rotating the lever (2) clockwise.

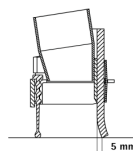
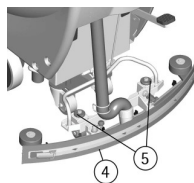
Insert the squeegee hose (3) into its coupling, respecting its position as indicated in the figure.



### Adjustment of the squeegee height

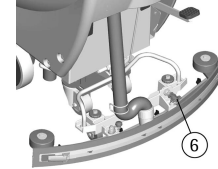
The squeegee must be adjusted in height depending on the rubber wear. In order to guarantee a perfect drying during the operation, the lower blade of the rear squeegee rubber (4) must work slightly bent backwards (operator side) in uniformed way in all its length. Turn the two knobs (5) clockwise to increase the bending of the rubber and counterclockwise to decrease the rubber bending. A label placed near the two knobs (5) indicate rotation to increase or reduce the height.

Note: The wheels of the squeegee support must be adjusted through the knobs (5) at the same height so that the squeegee works parallel to the floor.



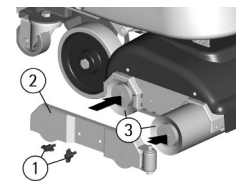
### Adjustment of the squeegee inclination

To increase the rubber bending in the central part, it is necessary to tilt the squeegee rotating counterclockwise the knob (6). To increase the rubber bending on the squeegee extremities, rotate the knob clockwise.



### Brush assembly

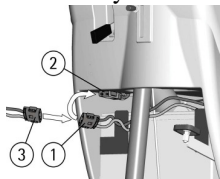
1. Take off the electric supply to the brush motor unplugging the battery connector (1).
2. Step on the pedal to lift the brush head.
3. With the brush head in lifted position, unscrew the two wing nuts (1) and then remove the side support of the brush (2).
4. Insert the brush (3) into their seats from the side of the hexagonal coupling, find the coupling at the opposite end and insert them completely.
5. Reposition the side support (2) so that the support pins enter into the bearing holes visible at the center of the brush frame.
6. Retighten and block the wing nuts.



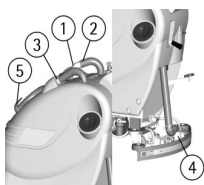
**ATTENTION:**  
Use only the brush supplied with the machine. The use of other brushes can damage the machine.

## Recovery tank

Check that the cover of the suction float filter (1) is correctly secured after rotating the levers and whether the suction motor hose (2) is correctly connected.



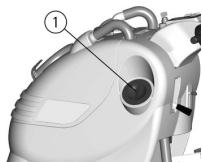
Verify also that the squeegee hose is correctly inserted into the seats (3 and 4), and that the drain hose (5) has the plug in place.



## Detergent solution tank

The capacity of the detergent solution tank is indicated in the technical data.

Open the screw cover cap (1) placed in the rear left part of the machine and fill the detergent solution tank with clean water at a maximum temperature of 122°F. Add the liquid detergent in the percentage and conditions as indicated by the manufacturer. To avoid excessive foam presence, which could cause problems to the suction motor, use the minimum percentage of detergent. Screw down the cap to close the tank.



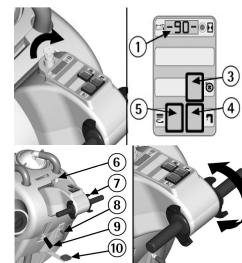
**ATTENTION:**  
Use always-low foam detergent. To avoid foam presence, before starting working operation, introduce into the recovery tank a minimum quantity of anti-foam product. Never use pure acid.

## FLOOR CLEANING Connection of the battery to the machine

Plug in the battery connector (1) to the machine connector (2), placed in the rear part of the machine.

## Starting the machine

1. Press the brush motor switch (5).
2. Check the battery type and the charge level on the display (1).
3. Press the suction motor switch (3).
4. Using the solution valve lever (8) adjust the solution detergent quantity bringing the floor uniformly wet, avoiding the leakage of detergent from the protection. Always consider that the correct quantity of solution detergent depends on the type of floor, its dirtiness and machine's speed. When using this lever, the indicator on the instrument board of the open solution valve (4) will turn on.
5. With the brush base lifting pedal (10) lower the brush base.
6. Use the squeegee-lifting lever (9) to lower the squeegee.
7. By activating the levers (7), the brush will start rotating resulting to the machine's forward movement. The squeegee will start drying the floor.
8. During the first hours check that the detergent solution flow is appropriate and that the squeegee adjustment guarantees a perfect drying action.

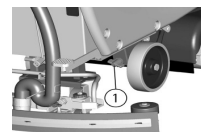


## Adjustment of brush pressure

Through the knob (1) placed on the internal part of the front right wheel, it is possible to adjust the brush pressure on the cleaned surface.

By turning the knob clockwise, the pressure increases, rotating the wing nut counterclockwise, the pressure decreases.

This device allows a more efficient cleaning action on very difficult and dirty surfaces.

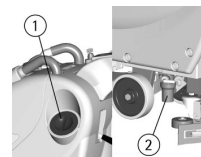


## Overflow device

In order to avoid serious damage to the vacuum motor, the machine is equipped with a float that intervenes when the recovery tank is full, closing the suction hose and stopping the suction.

When this happens, it is necessary to empty the recovery tank.

1. Hold the drain hose placed in the front part of the machine.
2. Take off the drain plug by pulling its lever. Empty the recovery tank into appropriate containers, according to the standard norms for the liquid disposal.



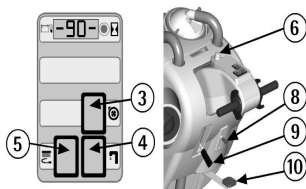


**ATTENTION:**  
**This operation must be carried out using gloves for protection against dangerous solutions.**

## **STOPPING OF THE MACHINE AFTER CLEANING OPERATION**

Before executing any type of maintenance:

1. Close the solution valve lever (8) and check that the indicator for the open solution valve (4) on the instrument board turns off.
2. Lift the brush head using the pedal (10).
3. Lift the squeegee with the lever (9).
4. Turn the brush motor switch off (5).
5. Turn the suction motor switch off (3).
6. Bring the machine to an appropriate place for draining tanks.



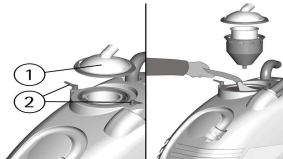
**ATTENTION:**  
**The machine is not equipped with a parking brake; therefore do not leave it on slopes.**

## **DAILY MAINTENANCE**

### **Recovery tank cleaning**

1. Hold the drain hose placed in the front part of the machine.
2. Take off the drain plug by using its lever. Empty the recovery tank into appropriate containers (see under "OVERFLOW DEVICE").
3. Take off the suction cover (1) after rotating the blocking levers (2).

4. Take off the filter and filter protection.
5. Rinse the tank with a water jet.



**ATTENTION:**  
**This operation must be carried out using gloves for protection against dangerous solutions.**

### **Emptying detergent solution**

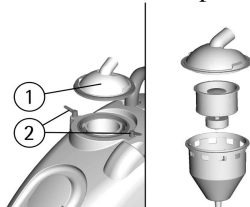
**To empty the detergent solution remaining in the solution tank:**

1. Bring the machine to an appropriate place for tank draining.
2. Unscrew the solution tank cap.
3. Remove solution filter, let it drain.

**ATTENTION:**  
**This operation must be carried out using gloves for protection against dangerous solutions.**

### **Suction filter cleaning**

1. Take off the suction cover (1) after rotating the blocking levers (2).
2. Take off the filter and filter protection.
3. Clean all parts with a water jet especially inside surfaces and filter bottom.
4. Carry out carefully the cleaning operations.
5. Reassemble all parts.

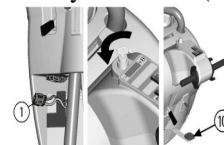


### **Brush cleaning**

Disassemble the brush and clean them with a water jet (for disassembly, see as follows under "BRUSH DISASSEMBLY").

### **Brush disassembly**

1. Lift the brush head by lowering the pedal (10).
2. Take off the electric supply to the brush motor unplugging the battery connector (1).

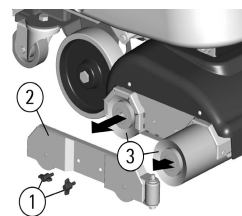


3. With the brush head in lifted position, unscrew the two wing nuts (1) and then remove the side support of the brush (2).
4. Take off the brush (3) from their seats to proceed for their cleaning or replacement.

5. To reassemble, insert the brush (3) into their seats from the side of the hexagonal coupling. Make sure the coupling is at the opposite end.

6. Reposition the side support (2) so that the support pins enter into the bearing holes visible at the center of the brush frame.

7. Retighten and block the wing nuts.



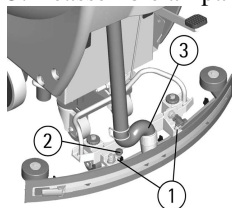
**ATTENTION:**  
The execution of brush disassembly operations with electric supply on may cause hand injuries.

**ATTENTION:**  
The handling of the brush operation must be carried out using suitable gloves to protect both mechanically from contact with the bristles and the chemical risk of contact with dangerous solutions.

### **Squeegee cleaning**

Keeping the squeegee clean guarantees the best drying action. For cleaning, it is necessary to:

1. Take off the squeegee hose (3) from its coupling.
2. Disassemble the squeegee from its support by rotating the lever (2) counterclockwise and sliding the stud bolts (1) in their slots up to their release.
3. Clean with care the internal part of the squeegee inlet eliminating eventual dirt residuals.
4. Clean with care the squeegee rubbers.
5. Reassemble all parts.



## **WEEKLY MAINTENANCE**

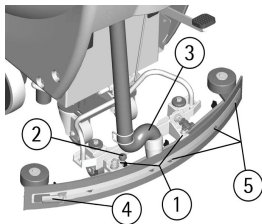
### **Rear squeegee rubber replacement**

Check the squeegee rubber wear and eventually turn or replace it. For replacement, it is necessary to:

1. Lift the squeegee using the lever (fig. 1, pos. 17).

2. Release the hook (4) of the rubber holder blade and take the rubber off.
3. Turn the rubber to a new side or replace it.

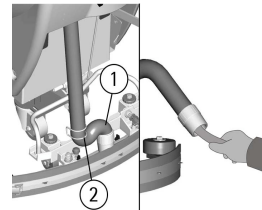
To reassemble the squeegee repeat in reverse the operations mentioned above, inserting the rubber on the guides (5) and blocking it with the rubber holder blade.



### **Squeegee hose cleaning**

In case of insufficient suction, check that the squeegee hose is not obstructed. To clean it, proceed as follows:

1. Take off the hose from the squeegee coupling (1) and release the guide spring of the suction hose (2).
2. Wash the inside of the hose with a water jet, from the squeegee hose side.
3. To reassemble the hose repeat in reverse the operations mentioned above.

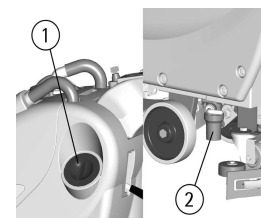


### **Cleaning of solution tank and filter**

1. Bring the machine to an appropriate place for draining tanks.
2. Unscrew the solution tank cap (1).
3. Remove solution filter (2).
4. Rinse the solution tank with a water jet.

5. Rinse the solution tank filter placed inside the exhaust plug, under the machine.
6. Reassemble all parts and close, if present, the solution valve of the drainage device.

**ATTENTION:**  
This operation must be carried out using gloves for protection against dangerous solutions.

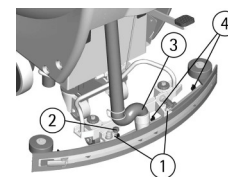


## **TWO-MONTH MAINTENANCE**

### **Front squeegee rubber replacement**

Check the wear of the squeegee rubber and eventually replace it. For replacement, it is necessary to:

1. Take off the squeegee hose (3) from its coupling.
2. Disassemble the squeegee from the support rotating the levers (2) counterclockwise sliding the stud bolts (1) in their slots.
3. Unscrew the wing nuts (4) in the front part of the squeegee.
4. Take off the rubber holder blade.
5. Replace the front rubber.
6. Reassemble all parts.



The checking of all the other machine operations is left to an authorized technical assistant.

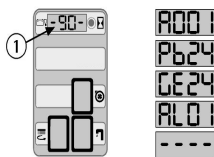
## TROUBLESHOOTING GUIDE

### Signals on the display

A001: Indication of the version of the electronic check card (the last number indicates the revision of the check card).

GE24: Indication battery check card set for gel battery.

---- (blinking): signal indicating the discharged battery and intervention of the brush stop device.



### The vacuum does not work

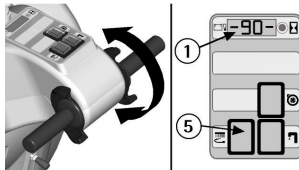
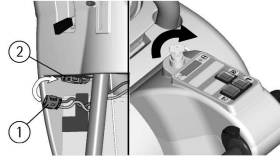
Verify that the switch (3) is on. If the problem persists, please contact an authorized technical assistant.



### The brush motor does not work

1. Check the charge level of the battery.
2. Check that the battery connector (1) is correctly plugged in.
3. Verify that the switch (5) is on.
4. Activate the levers.

If the problem persists, please contact an authorized technical assistant.

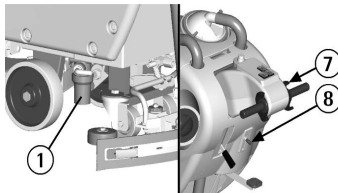


**ATTENTION:**  
Never leave the battery discharged for a long time.

### Insufficient water on the brush

1. Check that the solution valve lever (8) is open.
2. Check the level of the liquid in the solution tank.
3. Check that solution filter (1) is clean.

If the problem persists, please contact an authorized technical assistant.



### The machine does not clean properly

1. The brush does not have the suitable bristle dimension: use only original brush. For advice, contact an authorized technical assistant.

2. The brush bristles are worn out. Check the brush wear condition and eventually replace them.

To replace the brush, see instructions at paragraph "BRUSH DISASSEMBLY" and "BRUSH ASSEMBLY".

3. The solution detergent is insufficient: open more the solution valve.
4. Check that the liquid detergent is in the recommended percentage. Contact authorized technical assistance for advice.

### The squeegee does not dry perfectly

1. Check that the squeegee rubbers are clean.
2. Check the height and inclination of the squeegee (see under "SQUEEGEE" in "BEFORE USE").
3. Check that the suction hose is correctly inserted in the proper seat on the recovery tank.
4. Clean the suction filter.
5. Replace the rubbers if worn out.
6. Check that the vacuum switch is on.
7. Check that the recovery tank is empty.

### Excessive foam production

Check that low foam detergent has been used. Eventually add small quantities of anti foam liquid into the recovery tank.

Please be aware that a bigger quantity of foam is produced when the floor is not very dirty. In this case please dilute detergent solution.



## PROGRAMMED MAINTENANCE

INTERVENTION	DAILY	WEEKLY	TWO-MONTH	SIX-MONTH
RECOVERY TANK CLEANING	•			
SUCTION FILTER CLEANING	•			
SOLUTION TANK FILTER CLEANING		•		
BRUSH CLEANING	•			
BRUSH DISASSEMBLY	•			
SQUEEGEE CLEANING	•			
FRONT SQUEEGEE RUBBER REPLACEMENT			•	
REAR SQUEEGEE RUBBER REPLACEMENT			•	
SQUEEGEE ADJUSTMENT CHECK		•		
SQUEEGEE HOSE CLEANING		•		
SOLUTION TANK CLEANING		•		
BATTERIES ELECTROLYTE CHECK		•		
BRUSH MOTOR CHECK				•
VACUUM MOTOR CHECK				•
BRUSH BASE GROUP CHECK			•	
SCREW TIGHTENING				•

# Warranty Registration Form

Please provide additional information on  
Tornado equipment: (Check choices below)

- |   |   |
|---|---|
| <input type="checkbox"/> Automatic Scrubbers          | <input type="checkbox"/> Sweepers             |
| <input type="checkbox"/> Propane Floor Machines       | <input type="checkbox"/> Rotary Floor Machine |
| <input type="checkbox"/> High Speed Burnishers        | <input type="checkbox"/> Carpet Vacuums       |
| <input type="checkbox"/> Carpet Extractors & Spotters | <input type="checkbox"/> Wet/Dry Vacs         |
| <input type="checkbox"/> Steam Cleaners               | <input type="checkbox"/> Jumbo Vacs           |
| <input type="checkbox"/> Ride-On Equipment            | <input type="checkbox"/> Pressure Washers     |

See complete product info at [www.tornadovac.com](http://www.tornadovac.com)

Selling Dealer: (Required) \_\_\_\_\_

Please Print Clearly

Company/Institution	
Contact Name	Title
Address	City/State/Zip Code
Phone	Fax
Date of Purchase	Email

See white metal plate or sticker on unit for this information.

MACHINE TYPE/MODEL NUMBER:	MACHINE SERIAL NUMBER:
1. _____	1. _____
2. _____	2. _____
3. _____	3. _____
4. _____	4. _____

Facility Description (please circle all that apply)

1. School	9. Hospital	17. U.S. Govt.
2. Retail Store	10. Nursing Home	18. Other Govt.
3. Restaurant	11. Religious Institution	19. Auto Service
4. Office Building	12. Airport	20. Airport
5. Contract Cleaning	13. Warehouse	21. Non-Profit
6. Light Manufacturing	14. Apartment/Condo	22. Other (specify)
7. Heavy Manufacturing	15. Warehouse	
8. College/University	16. Supermarket	

How did you first learn about Tornado cleaning and maintenance equipment?	In square feet (meters)	
	Total Hard Floor Area	Total Carpeted Area Square feet (square meters)
<ul style="list-style-type: none"> <li><input type="radio"/> Contacted by local dealer</li> <li><input type="radio"/> Previous experience with Tornado products</li> <li><input type="radio"/> Reputation/Recommendation</li> <li><input type="radio"/> Advertising</li> <li><input type="radio"/> Direct mail</li> <li><input type="radio"/> Internet</li> <li><input type="radio"/> Other</li> </ul>	<ul style="list-style-type: none"> <li><input type="radio"/> 0-10,000 (0-930)</li> <li><input type="radio"/> 10-50,000 (930-4,650)</li> <li><input type="radio"/> 50-250,000 (4,650-23,250)</li> <li><input type="radio"/> Over 250,000 (over 23,260)</li> </ul>	<ul style="list-style-type: none"> <li><input type="radio"/> 0-10,000 (0-930)</li> <li><input type="radio"/> 10-50,000 (930-4,650)</li> <li><input type="radio"/> 50-250,000 (4,650-23,250)</li> <li><input type="radio"/> Over 250,000 (over 23,260)</li> </ul>

Damage or defect arising from abuse, neglect or other misuse is excluded from this warranty. Other items may or may not apply based on your specific machine. If any defect occurs, the warranty is voided if service is attempted by non-Authorized Tornado Service Centers.

Return to :  
Tornado Industries  
3101 Wichita Court  
Fort Worth, TX 76140  
Fax: 817-551-0719  
or online at  
[www.tornadovac.com](http://www.tornadovac.com)

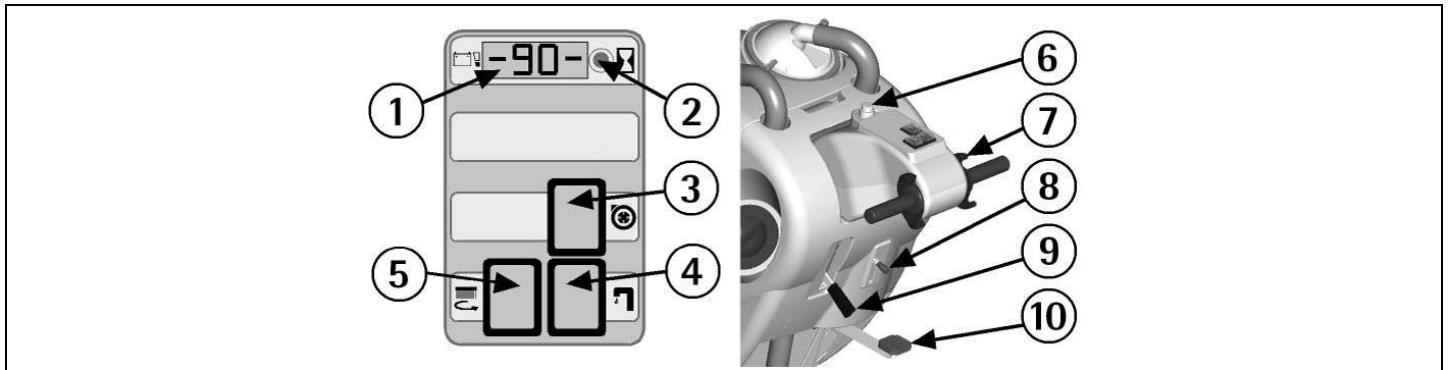


**ÍNDICE**

LEYENDA TABLERO DE INSTRUMENTOS Y MANDOS	18
LEYENDA MÁQUINA	18
ACCESORIOS OPCIONALES	19
DESCRIPCIÓN TÉCNICA	19
ADVERTENCIA	20
NORMAS GENERALES DE SEGURIDAD	20
SIMBOLOGÍA	20
ANTES DEL EMPLEO	21
Movimiento máquina embalada	21
Desembalaje de la máquina	21
Instalación de las baterías y regulación del tipo de la batería	21
Cargador de las baterías	21
Cargador de las baterías incorporado (opcional)	21
Recarga de las baterías	21
Recarga de las baterías con cargador de las baterías incorporado (opcional)	21
Eliminación de las baterías	22
Indicador de nivel de carga de las baterías	22
Cuentahoras	22
Montaje de la boquilla de secado	22
Reglaje de la altura de la boquilla de secado	22
Reglaje de la inclinación de la boquilla de secado	22
Montaje de los cepillos	22
Depósito de recuperación	23
Depósito de solución detergente	23
LIMPIEZA DE LOS SUELOS	23
Conexión de las baterías a la máquina	23
Accionamiento de la máquina	23
Reglaje de la presión de los cepillos	23
Dispositivo de protección sobrecarga motor de los cepillos (opcional)	23
Dispositivo rebosadero	24
Descarga solución detergente	24
Dispositivo de descarga de la solución detergente (opcional)	24
Avance	24
Parada	24
DETENCIÓN DE LA MÁQUINA AL FINAL DE LA LIMPIEZA	24
MANTENIMIENTO DIARIO	24
Limpieza depósito de recuperación	24
Limpieza del filtro de aspiración	24
Limpieza de los cepillos	24
Desmontaje de los cepillos	24
Limpieza de la boquilla de secado	25
MANTENIMIENTO SEMANAL	25
Sustitución del labio trasero de la boquilla de secado	25
Limpieza del tubo de la boquilla de secado	25
Limpieza del depósito solución y filtro	25
MANTENIMIENTO BIMESTRAL	25
Sustitución del labio delantero de la boquilla de secado	25
CONTROL DE FUNCIONAMIENTO	26
Señales sobre el display	26
El motor de aspiración no funciona	26
El motor de los cepillos no funciona	26
Los motores no funcionan	26
El agua en los cepillos no es suficiente	26
La máquina no limpia bien	26
La boquilla de secado no seca perfectamente	26
Producción excesiva de espuma	26
MANTENIMIENTO PROGRAMADO	27
CEPILLOS ACONSEJADOS	27
GARANTÍA LIMITADA A LARGO PLAZO DE PROTECCIÓN AL COMPRADOR	28

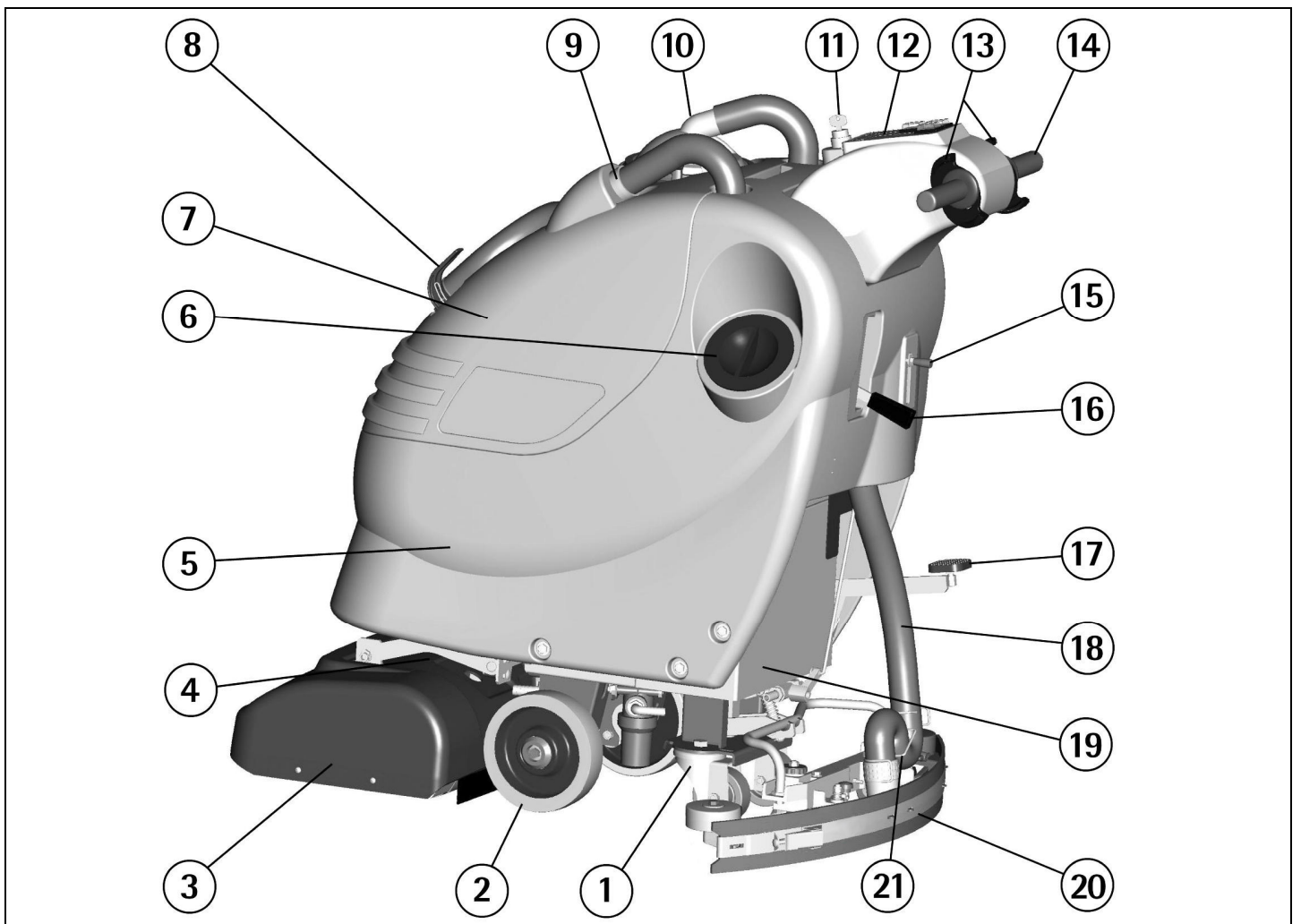
### LEYENDA TABLERO DE INSTRUMENTOS Y MANDOS

- |   |  |
|---|--|
| <ol style="list-style-type: none"> <li>1. DISPLAY NIVEL CARGA BATERÍAS/CUENTAHORAS</li> <li>2. PULSADOR VISUALIZACIÓN CUENTAHORAS (DISPLAY)</li> <li>3. INTERRUPTOR MOTOR DE ASPIRACIÓN</li> <li>4. INDICADOR DE SEÑAL GRIFO ABIERTO</li> </ol> | <ol style="list-style-type: none"> <li>5. INTERRUPTOR MOTOR DE LOS CEPILLOS</li> <li>6. INTERRUPTOR CON LLAVE (OPCIONAL)</li> <li>7. PALANCAS PRESENCIA HOMBRE</li> <li>8. PALANCA GRIFO</li> <li>9. PALANCA ELEVADORA BOQUILLA DE SECADO</li> <li>10. PEDAL ELEVADOR GRUPO BANCADA DE LOS CEPILLOS</li> </ol> |
|---|--|

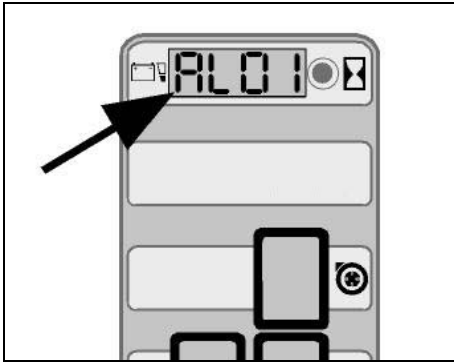


### LEYENDA MÁQUINA

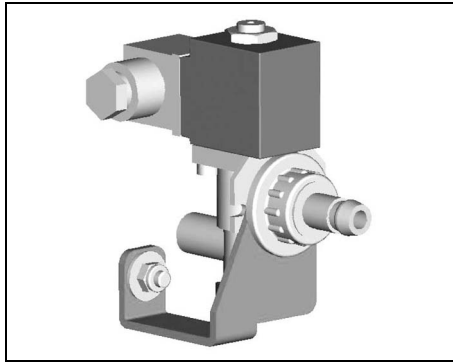
- |   |  |
|---|--|
| <ol style="list-style-type: none"> <li>1. RUEDAS PIVOTANTES</li> <li>2. RUEDAS</li> <li>3. GRUPO BANCADA DE LOS CEPILLOS</li> <li>4. ELECTROVÁLVULA (OPCIONAL)</li> <li>5. DEPÓSITO DE SOLUCIÓN</li> <li>6. TAPA DE CARGA SOLUCIÓN DETERGENTE</li> <li>7. DEPÓSITO DE RECUPERACIÓN</li> <li>8. TAPÓN DE DESCARGA DEPÓSITO DE RECUPERACIÓN</li> <li>9. ASIENTO ENTRADA TUBO BOQUILLA DE SECADO</li> <li>10. TAPA ASPIRACIÓN</li> </ol> | <ol style="list-style-type: none"> <li>11. INTERRUPTOR CON LLAVE (OPCIONAL)</li> <li>12. TABLERO DE INSTRUMENTOS</li> <li>13. PALANCAS PRESENCIA HOMBRE</li> <li>14. MANILLARES</li> <li>15. PALANCA GRIFO</li> <li>16. PALANCA ELEVADORA BOQUILLA DE SECADO</li> <li>17. PEDAL ELEVADOR GRUPO BANCADA DE LOS CEPILLOS</li> <li>18. TUBO BOQUILLA DE SECADO</li> <li>19. BATERÍAS</li> <li>20. GRUPO BOQUILLA DE SECADO</li> <li>21. RESORTE GUIA TUBO BOQUILLA DE SECADO</li> </ol> |
|---|--|



## ACCESORIOS OPCIONALES



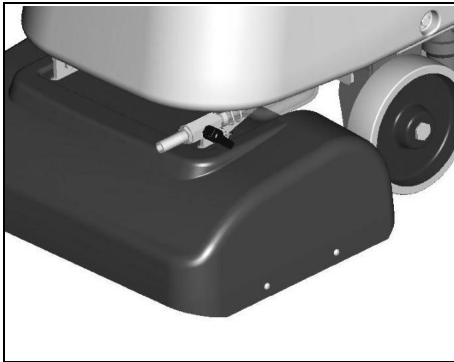
Dispositivo de protección sobrecarga motor cepillos



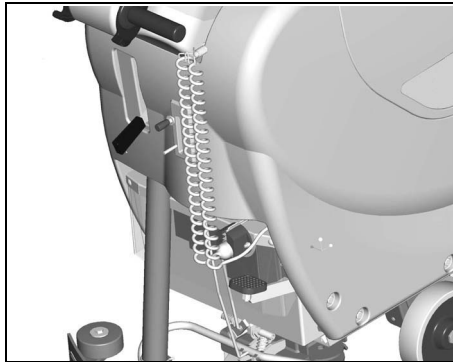
Electroválvula



Interruptor con llave



Dispositivo de descarga solución detergente



Cargador de las baterías incorporado

## DESCRIPCIÓN TÉCNICA

U/M

BR 18 11

Anchura de trabajo	mm/in	460/18
Anchura de la boquilla de secado	mm/in	770/30.3
Capacidad de trabajo, hasta	sqm/h/sqft/hr	1670/17975
Diámetro de los cepillos	mm/in	2x95/2x3.75
Velocidad revoluciones de los cepillos	rpm	950
Presión en los cepillos	kg/lbs	30/66 max
Motor de los cepillos	W/A	600/25
Tipo de avance		semi-aut.
Desnivel máximo		2%
Motor de aspiración	W/A	570/24
Depresión aspirador	mbar/in water lift	120/48
Depósito de solución	l/gal	40/11
Depósito de recuperación	l/gal	45/12
Longitud máquina	mm/in	1090/43
Altura máquina	mm/in	1053/41
Anchura máquina (sin Boquilla de secado)	mm/in	548/21
Capacidad baterías	V/Ah <sub>ch</sub>	24/110
Peso baterías	kg/lbs	74/163
Hueco baterías	mm/in	342x345x300/1 3.5x13.5x12
Peso máquina (en vacío y sin baterías)	kg/lbs	71/157
Clase		III
Tensión de alimentación	V	24

## ADVERTENCIA

Les agradecemos por haber seleccionado nuestra máquina. Esta máquina fregadora se emplea en la limpieza industrial y civil para cualquier tipo de pavimentación. Durante su movimiento de avance, la acción combinada de los cepillos y de la solución detergente, remueve la suciedad que viene recogida con el grupo de aspiración trasero dejando una superficie perfectamente seca.

La máquina tiene que ser utilizada sólo para este fin. Se obtienen las mejoras prestaciones si se emplea correctamente y se mantiene en plena eficiencia. Rogamos de consecuencia leer cuidadosamente estas instrucciones y volver a leerlas cada vez ocurran dificultades.

En caso de necesidad, recordamos que nuestro servicio de asistencia queda siempre a disposición para eventuales consejos o intervenciones directa.

## NORMAS GENERALES DE SEGURIDAD

Las normas aquí abajo indicadas tienen que cumplirse cuidadosamente para evitar daños al operador y a la máquina.

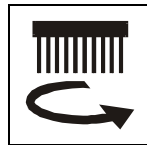
- Leer cuidadosamente las etiquetas en la máquina, no cubrirlas por ningún motivo y sustituirlas en seguida en caso de que fuesen dañadas.
- Tendrán que utilizar la máquina única el personal autorizado y adiestrado para el empleo.
- Durante el funcionamiento de la máquina hay que tener cuidado con las demás personas y especialmente con los niños.
- No mezclar detergentes de tipo diferente para evitar la producción de gases nocivos.
- No apoyar recipientes de líquidos en la máquina.
- La temperatura de almacenamiento tiene que estar comprendida entre  $-25^{\circ}\text{C}$  y  $+55^{\circ}\text{C}$ .
- Temperatura óptima de trabajo: entre  $0^{\circ}\text{C}$  y  $40^{\circ}\text{C}$ .
- La humedad tiene que estar comprendida entre 30 y 95%.
- No emplear la máquina en atmósfera explosiva.
- No emplear la máquina como vehículo de transporte.
- No utilizar soluciones ácidas que podrían dañar la máquina y/o las personas.
- Evitar que los cepillos trabajen estando la máquina parada para no causar daños al suelo.
- No utilizar la máquina en superficies esparcidas de líquidos o polvos inflamables (por ejemplo hidrocarburos, cenizas o tiznes).
- En caso de incendio, emplear un extintor de polvo. No emplear agua.
- No chocar con estanterías o andamios donde hay peligro de caída de objetos.
- Adecuar la velocidad de empleo a las condiciones de adhesión.
- No utilizar la máquina sobre superficies con inclinación superior a la indicada en la placa.
- La máquina tiene que realizar las operaciones de lavado y secado al mismo tiempo. Operaciones de naturaleza diferente tendrán que ser realizadas en zonas prohibidas para el paso de personas no encargadas del trabajo.
- Hay que señalar las zonas de pavimento mojado con letreros para tal efecto.
- Cuando se observasen anomalías en el funcionamiento de la máquina, asegurarse que no sean causadas por la falta de manutención ordinaria. De no ser así, requerir la intervención del centro de asistencia autorizado.
- En caso de sustitución de piezas, pedir los repuestos ORIGINALES a un concesionario y/o distribuidor autorizado.
- Emplear solamente cepillos ORIGINALES señalados en el párrafo "CEPILLOS ACONSEJADOS".
- Para cualquier intervención de limpieza y/o mantenimiento cortar el suministro eléctrico a la máquina.
- No quitar las protecciones que requieren el empleo de utensilios para ser removidas.
- No lavar la máquina con chorros de agua directos a presión, o con sustancias corrosivas.

- Cada 200 horas de trabajo hacer controlar la máquina por un centro de asistencia autorizado.
- Para evitar incrustaciones al filtro del tanque de solución, no cargar la solución detergente muchas horas antes de utilizar la máquina.
- Antes de utilizar la máquina, controlar que todas las tapas y las coberturas estén posicionadas como se ha indicado en este manual de uso y mantenimiento.
- Antes de remover el depósito de recuperación asegurarse que esté vacío.
- Restablecer todas las conexiones eléctricas después de haber efectuado cualquier intervención.
- Proceder a la eliminación de los materiales de consumo siguiendo las normas de ley vigentes.
- Cuando vuestra máquina dejará de ser empleada, proveer al desmantelamiento apropiado de los materiales en la misma contenidos especialmente aceite, baterías y componentes electrónicos, y considerando que la máquina misma fue construida en cuanto posible con materiales reciclados.

## SIMBOLOGÍA



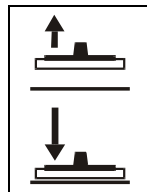
Símbolo del grifo.  
Indica la palanca del grifo. Indica la espia del grifo abierto.



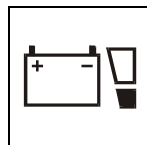
Símbolo del cepillo.  
Indica el interruptor del motor de los cepillos.



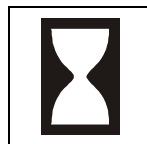
Símbolo del motor de aspiración.  
Indica el interruptor del motor de aspiración.



Símbolo de subida-bajada boquilla de aspiración.  
Indica la palanca de la boquilla de secado.



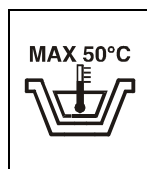
Indicador de nivel de carga de las baterías.



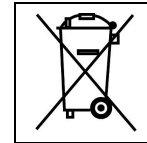
Indicador del cuentahoras.



Indica el tubo de descarga del depósito de recuperación.



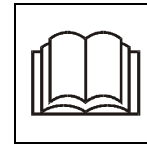
Indica la temperatura máxima de la solución detergente.  
Está situado cerca de la abertura de carga del depósito de la solución.



Símbolo del bidón listado.  
Indica que al final de su actividad, la máquina tendrá que ser eliminada en conformidad de la legislación vigente.



Símbolo del libro abierto.  
Indica al operador que debe leer el manual antes del uso de la máquina.



Símbolo del libro abierto. Por el buen funcionamiento del cargador de las baterías incorporado (opcional), leer el manual del uso del constructor.



Símbolo de aviso.  
Leer con atención las secciones precedidas por este símbolo, para la seguridad del operador y de la máquina.

## ANTES DEL EMPLEO

### MOVIMIENTO MÁQUINA EMBALADA

La máquina está contenida en un embalaje al efecto de una tarima para el movimiento por medio de carros elevadores de horquilla.

El peso total es de 95 kg.

Las dimensiones del embalaje son:

**Base:** 118 cm x 67 cm

**Altura:** 119 cm

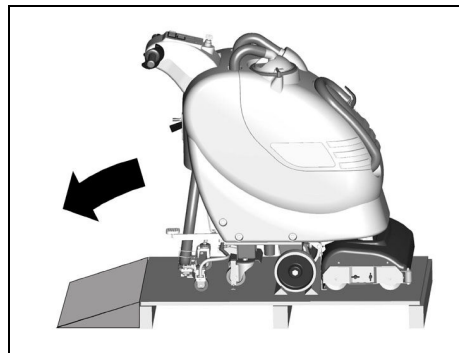
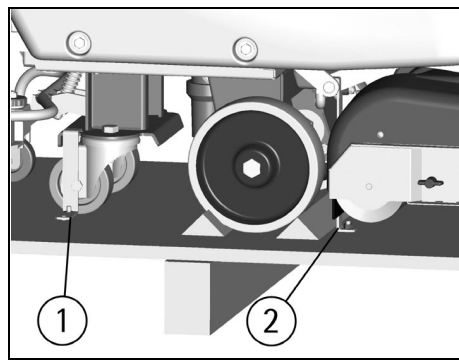


#### ATENCIÓN:

No se pueden remontar más de dos embalajes.

### DESEMBALAJE DE LA MAQUINA

1. Quitar el embalaje exterior.
2. Destornillar los soportes (1 + 2) que fijan la máquina a la tarima.
3. Liberar la máquina de la tarima, empujándola marcha atrás, como indicado en la figura. Evitar choques fuertes en la partes mecánicas.
4. Guardar la tarima para eventuales necesidades de transporte.

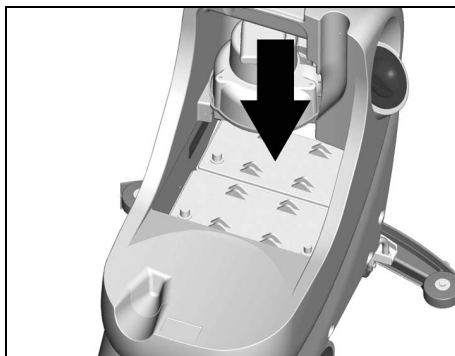


### INSTALACION DE LAS BATERIAS Y REGULACION DEL TIPO DE LA BATERIA

La máquina necesita el empleo de dos baterías de 12 Volt conectadas en serie, introducidas en el hueco para tal efecto debajo del depósito de recuperación y tienen que ser movidas empleando equipos de levantamiento adecuados (tanto por el peso como por el sistema de enganche).

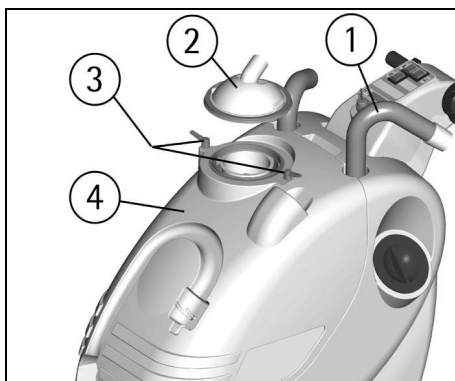
Las baterías tienen que reunir los requisitos indicados en la Norma CEI 21-5.

La conexión de los cables batería tiene que ser realizada por personal especializado, porque la inversión de polaridad provoca la ruptura de los componentes eléctricos. Antes de alimentar la máquina, controlar que el cable rojo esté conectado al polo + de la batería.



Para la instalación de las baterías es necesario:

1. Despegar el tubo de la boquilla de secado (1).
2. Quitar el tapón de aspiración (2) después de haber girado las palancas (3) que lo fijan.
3. Quitar el depósito de recuperación (4).
4. Colocar las baterías en el hueco.
5. **Conectar los bornes, respetando la polaridad y poniendo atención de no cortocircuitar las baterías con utensilios.**
6. Volver a montar todo.

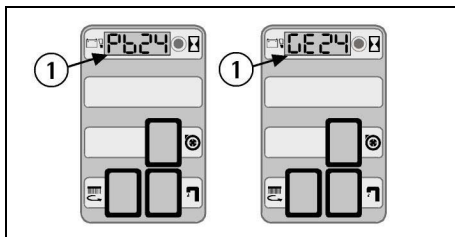


#### ATENCIÓN:

La máquina y la relativa ficha de las baterías prevén la utilización de baterías de tipo tradicional de plomo.

**CONTROLAR LA REGULACIÓN DE LA FICHA SOBRE EL INDICADOR (1).**

En caso de que se instalen baterías de GEL, es necesario efectuar la regulación de la ficha electrónica. Rogamos contactar con el centro de asistencia técnica autorizado.



#### ATENCIÓN:

Para el mantenimiento y la recarga de las baterías hay que cumplir exactamente las instrucciones dadas por el constructor o por su distribuidor. Todas las operaciones de instalación y mantenimiento tienen que ser realizadas por personal especializado, empleando dispositivos de protección apropiados.

### CARGADOR DE LAS BATERIAS

Asegurarse que el cargador sea adecuado a las baterías instaladas tanto para la capacidad como para el tipo (plomo/ácido o GEL y equivalentes).

El conector de acoplamiento del cargador de baterías se suministra dentro del saquito que contiene este manual de instrucciones. Este conector tiene que ser montado en los cables de vuestro cargador según las instrucciones adecuadas del constructor del cargador.



#### ATENCIÓN:

Esta operación tiene que ser realizada por personal especializado. Una conexión equivocada o imperfecta de los cables al conector puede causar daños serios a las personas u objetos.

### CARGADOR DE LAS BATERÍAS INCORPORADO (OPCIONAL)

En caso de que la máquina esté entregada con el cargador de las baterías incorporado (ver "ACCESORIOS OPCIONALES"), se remite a las instrucciones del constructor de este accesorio por lo que concierne las operaciones de recarga.

Para verificar el tipo de cargador montado, controlar la placa de matrícula.

El cargador es conectado directamente a los polos de las baterías.

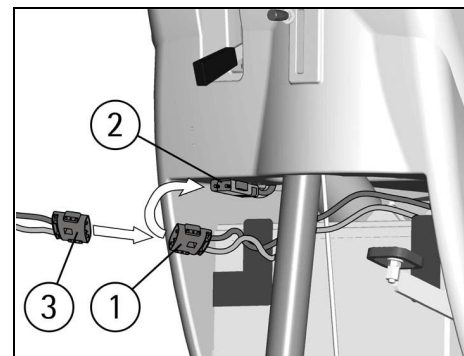
Durante las operaciones de recarga se activa un dispositivo que no permite el funcionamiento de la máquina.

El cable de alimentación del cargador tiene una longitud máxima de dos metros y tiene que ser conectado a una toma monofásica tipo CEE 7/7.

### RECARGA DE LAS BATERÍAS

Colocar la máquina en una superficie plana.

Introducir el conector de las baterías (1) colocado en la parte trasera de la máquina, al conector (3) del cargador.



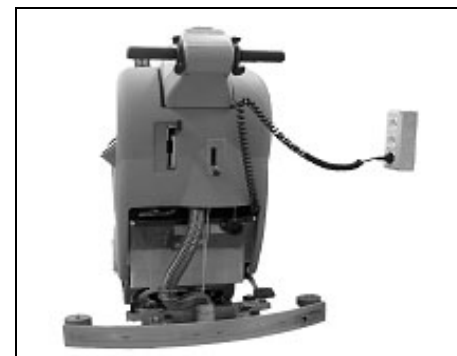
### RECARGA DE LAS BATERÍAS CON CARGADOR DE LAS BATERÍAS INCORPORADO (OPCIONAL)

Colocar la máquina en una superficie plana cerca de una toma monofásica con tensión 115V, frecuencia 60Hz, corriente nominal 10A.

Apagar los interruptores del motor de los cepillos, del motor de aspiración y de la electroválvula.

Introducir el enchufe en la toma de la red.

Al final de la recarga, quitar el enchufe de la red.





**ATENCIÓN:**

No cargar jamás una batería de GEL con un cargador no adecuado. Seguir esmeradamente las instrucciones transmitidas del fabricante de las baterías y del cargador.

Para no causar daños permanentes a las baterías, es indispensable evitar la descarga por completo de las mismas, efectuando la recarga dentro de pocos minutos desde el encendido de la señal relampagueante de baterías descargadas.

NOTAS: No hay que dejar nunca las baterías descargadas por completo, aunque la máquina no se emplee. En caso de baterías tradicionales, cada 20 recargas verificar el nivel del electrolito y eventualmente añadir agua destilada.

**ATENCIÓN:**

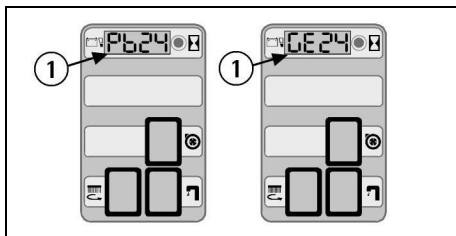
Para la recarga diaria de las baterías hay que cumplir exactamente las instrucciones dadas por el constructor o por su distribuidor. Todas las operaciones de instalación y mantenimiento tienen que ser realizadas por personal especializado. Peligro de exhalación de gas y escape de líquidos corrosivos. Peligro de incendio: no aproximarse con llamas libres.

**ELIMINACION DE LAS BATERIAS**

Es obligatorio entregar las baterías agotadas, que son clasificadas como residuos peligrosos, a un ente autorizado en conformidad con la legislación vigente para la eliminación.

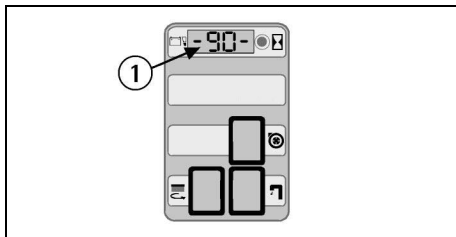
**INDICADOR DE NIVEL DE CARGA DE LAS BATERIAS**

CUANDO LA MÁQUINA SE ENCIENDE, EN EL DISPLAY (1) APARECE LA REGULACIÓN DE LA FICHA BATERÍAS: GE 24: ficha regulada para baterías de GEL. Pb 24: ficha regulada para baterías de plomo.

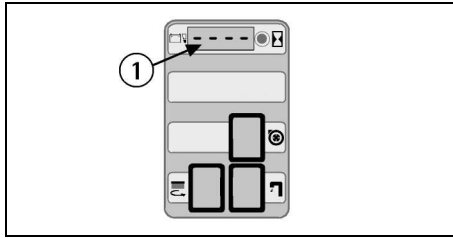


En el display (1) la indicación siguiente del nivel de carga de las baterías es digital e indica el porcentaje de carga de las baterías. 90 es la carga máxima, hasta a un mínimo de 10 marcando cada disminución del 10%.

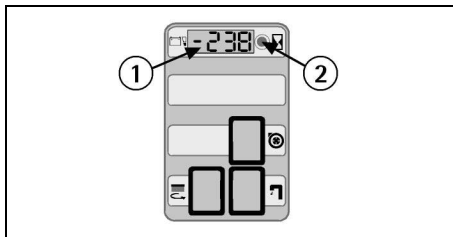
Cuando el estado de carga llega al 10% el display empieza de relampaguear, indicando el final de la carga de las baterías.

**ATENCIÓN:**

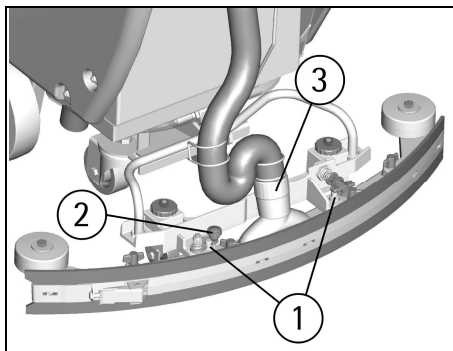
Después de algunos segundos desde el "----" (cuatro rayas relampagueantes), el motor de los cepillos se apaga automáticamente. Con la carga residual es posible de todos modos acabar el trabajo de secado antes de efectuar la recarga.

**CUENTAHORAS**

La máquina está equipada de cuentahoras la cual lectura viene activada en el mismo display del indicador de carga de las baterías (1) teniendo apretado el pulsador (2) más de tres segundos. La primera lectura indica las horas trabajadas y, después de algunos instantes la segunda lectura indica los minutos trabajados.

**MONTAJE DE LA BOQUILLA DE SECADO**

Con el soporte de la boquilla de secado bajado, hacer deslizar los dos prisioneros (1) puestos en la parte superior de la boquilla, al interior de los ojales presentes en el soporte. Bloquear la boquilla de secado girando la palanca (2) en sentido horario. Introducir el tubo (3) de la boquilla en el manguito al efecto, respetando su posición indicada en la figura.

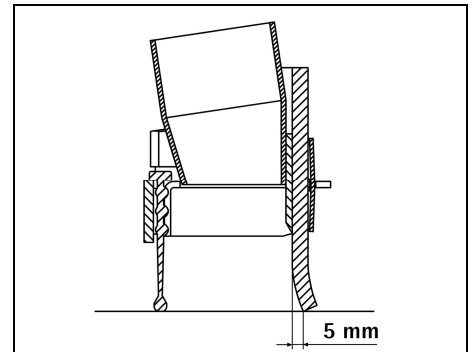
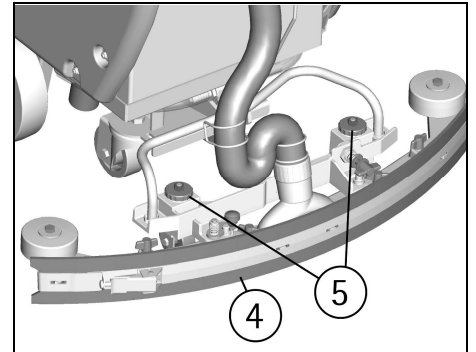
**REGLAJE DE LA ALTURA DE LA BOQUILLA DE SECADO**

La boquilla de secado ha de ser regulado en altura en relación con el desgaste de los labios. A fin de garantizar un secado perfecto durante la utilización, la parte inferior del labio trasero de la boquilla de secado (4) tiene que trabajar inclinado ligeramente hacia atrás (hacia el operador) de manera uniforme y por toda su longitud.

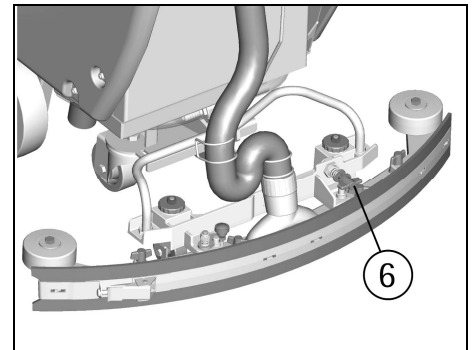
Volviendo a girar los dos reguladores (5) en sentido horario es posible aumentar la combadura del labio, girando en sentido antihorario, es posible reducir la combadura del labio.

Una etiqueta puesta en proximidad de los dos reguladores (5) indica el sentido de rotación para aumentar o reducir la altura.

Notas: Las ruedas pequeñas del soporte de la boquilla de secado tienen que estar reguladas por medio de los reguladores (5) por la misma cantidad de manera que la boquilla de secado trabaje estando paralelo al pavimento.

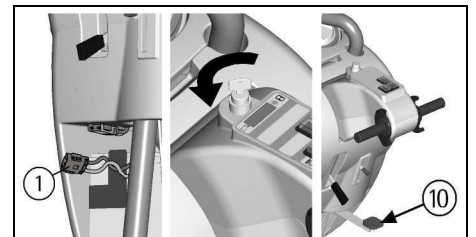
**REGLAJE DE LA INCLINACION DE LA BOQUILLA DE SECADO**

En caso de necesidad, para aumentar la combadura del labio en la parte central, hay que inclinar la boquilla de secado girando en sentido antihorario el regulador (6). Para aumentar la combadura del labio en los lados de la boquilla girar el regulador en sentido horario.

**MONTAJE DE LOS CEPILLOS**

1. Quitar la alimentación eléctrica del motor de los cepillos desconectando el conector baterías (1). Las máquinas que están equipadas de encendido con llave (ver "ACCESORIOS OPCIONALES"), hay que girar la llave en sentido antihorario.

2. Actuando en el pedal (10) levantar la bancada de los cepillos.



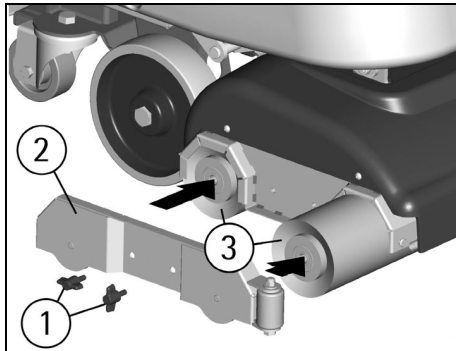
3. Estando la bancada cepillos en posición alta, destornillar las dos mariposas (1) y luego remover el soporte lateral de los cepillos (2).

4. Introducir los cepillos (3) en los huecos de la parte del acoplado hexagonal, con el cuidado de



encontrar el acoplado a la extremidad opuesta y de introducirlos completamente.

- Reposicionar el soporte lateral (2) de manera que los pernos del soporte entren en los orificios de los cojinetes visibles al centro de los cepillos.
- Volver a atornillar y bloquear las mariposas.



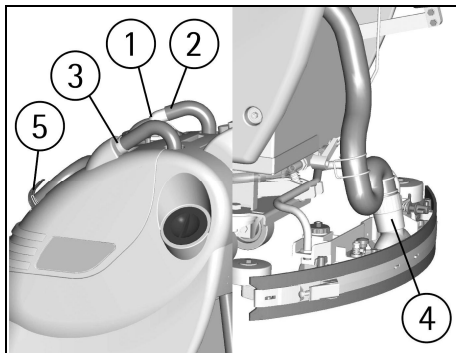
### ⚠ ATENCIÓN:

Utilizar solo los cepillos dotados con la máquina o aquellos especificados en el párrafo "CEPILLOS ACONSEJADOS". La utilización de otros cepillos puede comprometer la seguridad.

### DEPOSITO DE RECUPERACION

Controlar que la tapa del filtro de aspiración (1) esté correctamente bloqueada, después de haber girado las palancas y que esté correctamente conectado al tubo del motor de aspiración (2).

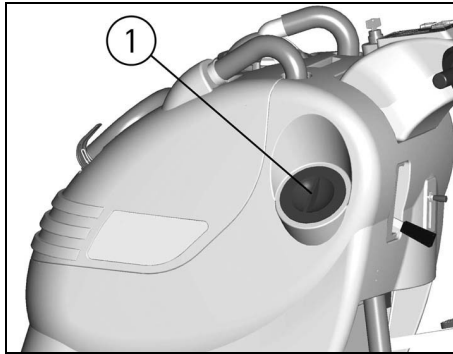
Comprobar además que el tubo de la boquilla de secado (3 y 4) esté correctamente introducido en sus alojamientos y que el tapón del tubo de descarga (5), puesto en la parte delantera de la máquina, esté cerrado.



### DEPÓSITO DE SOLUCIÓN DETERGENTE

La capacidad del depósito de solución está indicada en la ficha técnica.

Abrir el tapón roscado (1) que se encuentra en la parte trasera en el lado izquierdo de la máquina y llenar el depósito de solución con agua limpia, con una temperatura no superior a 50°C. Añadir el detergente líquido en la concentración y con las modalidades previstas por el fabricante. Para evitar la formación de una cantidad excesiva de espuma que podría dañar el motor de aspiración, emplear la cantidad mínima de detergente. Enroscar el tapón del depósito de solución.



### ⚠ ATENCIÓN:

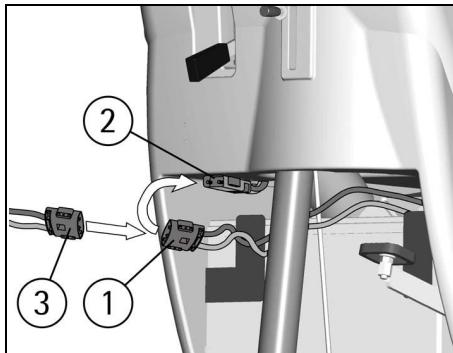
Hay que emplear siempre detergente de espuma controlada. Para evitar con seguridad la producción de espuma, antes de empezar el trabajo introducir en el depósito de recuperación una cantidad mínima de líquido antiespuma.

**No emplear ácidos en estado puro.**

### LIMPIEZA DE LOS SUELOS

#### CONEXION DE LAS BATERIS A LA MAQUINA

Conectar el conector baterías (1) al conector de la máquina (2), puesto en la parte trasera de la máquina.

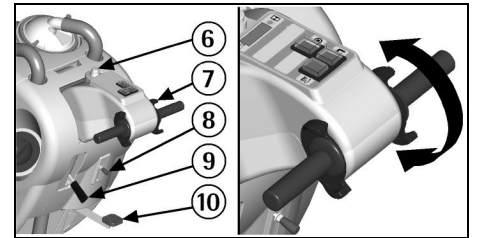
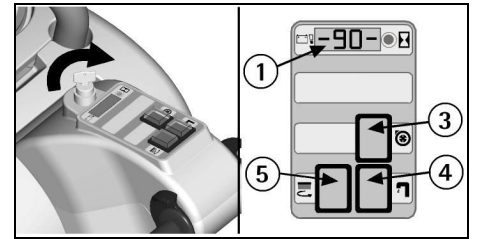


#### ACCIONAMIENTO DE LA MAQUINA

- Las máquinas que están equipadas de encendido con llave (ver "ACCESORIOS OPCIONALES"), hay que girar la llave (6) en sentido horario.
- Apretar el interruptor del motor cepillos (5).
- Controlar el tipo de las baterías y el estado de la carga sobre el display (1).
- Apretar el interruptor del motor de aspiración (3).
- Actuando en la palanca (8) del grifo regular la cantidad de solución detergente que tiene que ser suficiente para mojar de manera uniforme el suelo evitando la salida del detergente de la protección. En cualquier caso, hay que tener presente que la correcta cantidad de solución está siempre en función de la naturaleza del suelo, de la entidad de la suciedad y de la velocidad. Actuando esta palanca, en el tablero de instrumentos se enciende el indicador de señal grifo abierto (4). En el modelo equipado con electroválvula opcional (ver "ACCESORIOS OPCIONALES") el flujo de la solución detergente será accionado automáticamente, una vez que el grifo está abierto a través de la palanca (8), y actuando las palancas presencia hombre (7). Volviendo a dejar las palancas presencia hombre, el flujo se interrumpirá automáticamente.
- Actuando en el pedal de levantamiento del grupo bancada (10) bajar la bancada.
- Actuando en la palanca levantamiento boquilla de secado (9) bajar la boquilla de secado.
- Poniendo en funcionamiento las palancas presencia hombre (7) los cepillos empezarán a girar

transmitiendo a la máquina un movimiento de avance. La boquilla de secado empezará a aspirar.

9. Durante los primeros metros controlar que el flujo de la solución detergente sea adecuado y que la regulación de la boquilla de secado garantice un secado perfecto.

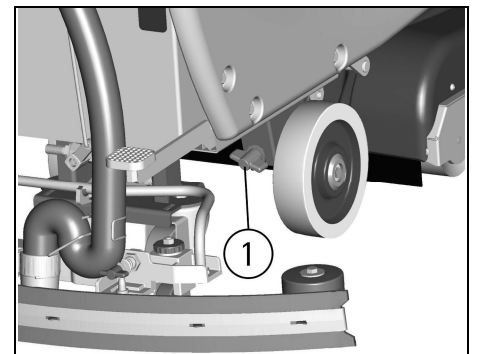


#### REGLAJE DE LA PRESION DE LOS CEPILLOS

Por medio del regulador (1) puesto al interior de la rueda delantera derecha, es posible regular la presión de los cepillos sobre la superficie lavada.

Girando la palomita en sentido horario la presión aumenta, girando la palomita en sentido antihorario la presión disminuye.

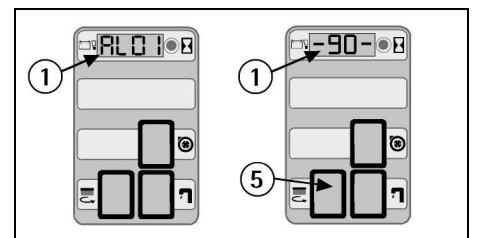
Este dispositivo permite una acción lavante más eficaz también en las superficies más difíciles y sucias.



#### DISPOSITIVO DE PROTECCIÓN SOBRECARGA MOTOR DE LOS CEPILLOS (OPCIONAL)

Si la máquina está equipada del sistema de protección amperimétrico (ver "ACCESORIOS OPCIONALES"), este sistema, en caso de sobrecarga prolongada del motor de los cepillos, interviene apagándolo. Además, en el display (1) aparece la sigla "ALO1". En caso de intervención de este dispositivo, controlar el reglaje de la presión de los cepillos en relación al tipo de suelo que se tiene que limpiar y, si es necesario, reducirla.

Para restablecer el funcionamiento del motor de los cepillos, apagar el interruptor del motor de los cepillos (5) por algunos segundos y volver a encender.



**DISPOSITIVO REBOSADERO**

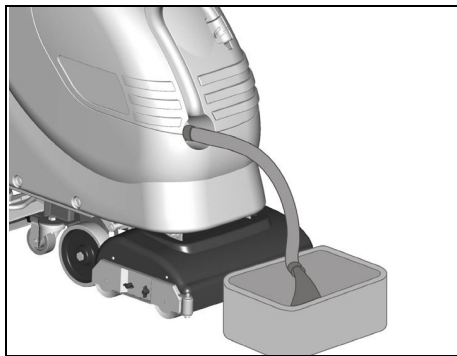
A fin de evitar daños serios al motor de aspiración, la máquina está equipada de un flotador que actúa cuando el depósito de recuperación está lleno causando el cierre del tubo de aspiración y por lo tanto de la aspiración.

En este caso hay que vaciar el depósito de recuperación.

1. Empuñar el tubo de descarga puesto en la parte delantera de la máquina.
2. Quitar el tapón del tubo de descarga actuando la palanca puesta sobre el tapón y vaciar el depósito de recuperación en tinas previstas, en contemplación de las normas vigentes en cuanto concierne la liquidación de los líquidos.

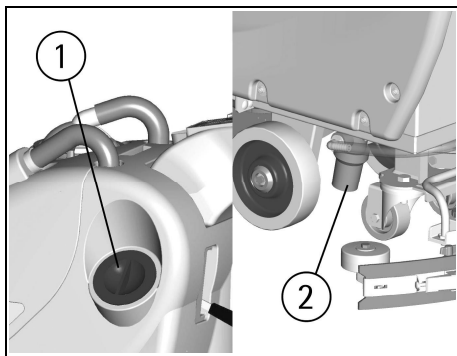
**ATENCIÓN:**

Esta operación tiene que ser realizada llevando guantes para protegerse del contacto con soluciones peligrosas.

**DESCARGA SOLUCIÓN DETERGENTE**

Para volver a descargar la solución detergente quedada en el depósito de solución:

1. Colocar la máquina sobre una descarga a tierra apropiada.
2. Desenroscar la tapa de carga (1) del depósito de la solución.
3. Desenroscar el tapón del filtro (2).

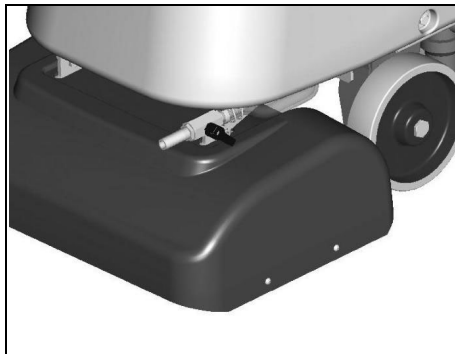
**ATENCIÓN:**

Esta operación tiene que ser realizada llevando guantes para protegerse del contacto con soluciones peligrosas.

**DISPOSITIVO DE DESCARGA DE LA SOLUCIÓN DETERGENTE (OPCIONAL)**

Para recuperar la solución detergente, es necesario utilizar el dispositivo de descarga apropiado y proceder como sigue:

1. Desenganchar el tubo.
2. Abrir el grifo poniendo la dirección del chorro en la tina de recogida.
3. Una vez ultimada la operación cerrar el grifo. Volver a enganchar el tubo al resorte.

**ATENCIÓN:**

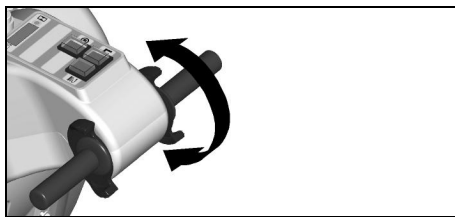
Esta operación tiene que ser realizada llevando guantes para protegerse del contacto con soluciones peligrosas.

**AVANCE**

La tracción de estas máquinas se obtiene por medio de los cepillos que transmiten a la máquina un movimiento de avance.

**PARADA**

Volviendo a dejar las palancas presencia hombre, los cepillos se pararán deteniendo el avance de la máquina.

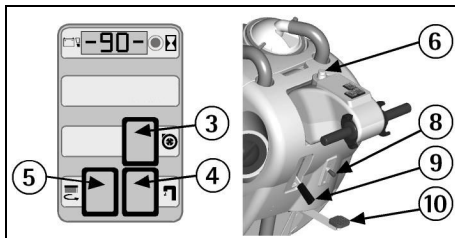
**ATENCIÓN:**

Cuando se efectúan desplazamientos aun cortos en marcha atrás, asegurarse que la boquilla de secado esté levantado.

**DETENCIÓN DE LA MÁQUINA AL FINAL DE LA LIMPIEZA**

Antes de ejecutar cualquier tipo de mantenimiento:

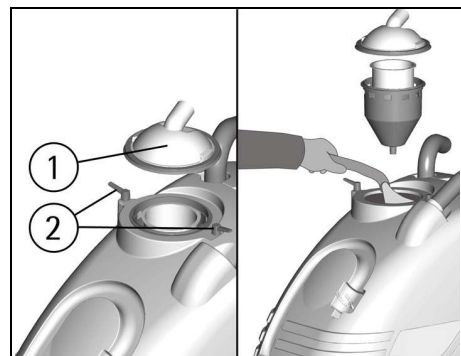
1. Cerrar el grifo a través de la palanca (8) y controlar que en el tablero de instrumentos la señal del grifo abierto (4) se apague.
2. Levantar la bancada actuando en el pedal (10).
3. Levantar la boquilla de secado actuando en la palanca (9).
4. Apagar el interruptor del motor de los cepillos (5).
5. Apagar el interruptor del motor de aspiración (3).
6. Las máquinas que están equipadas de encendido con llave (ver "ACCESORIOS OPCIONALES"), hay que girar la llave (6) en sentido antihorario.
7. Llevar la máquina hasta el lugar previsto para la descarga de la agua.

**ATENCIÓN:**

La máquina no está equipada del freno de estacionamiento por lo tanto no hay que dejarla en planos inclinados.

**MANTENIMIENTO DIARIO****LIMPIEZA DEPÓSITO DE RECUPERACIÓN**

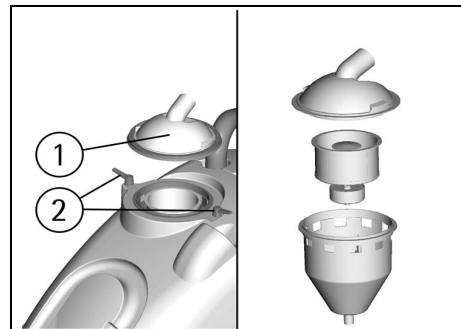
1. Empuñar el tubo de descarga puesto en la parte delantera de la máquina.
2. Sacar el tapón del tubo de descarga actuando la palanca puesta encima el tapón y vaciar el depósito de recuperación en las tinas previstas (VER "DISPOSITIVO REBOSADERO").
3. Quitar el tapón de aspiración (1) después de haber girado las palancas (2) que lo fijan.
4. Quitar el filtro y la protección relativa.
5. Enjuagar el depósito con un chorro de agua.

**ATENCIÓN:**

Esta operación tiene que ser realizada llevando guantes para protegerse del contacto con soluciones peligrosas.

**LIMPIEZA DEL FILTRO DE ASPIRACIÓN**

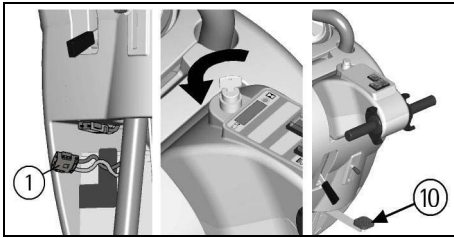
1. Quitar el tapón de aspiración (1) después de haber girado las palancas (2) que lo fijan.
2. Quitar el filtro y la protección relativa.
3. Limpiar todo con un chorro de agua especialmente las paredes y el fondo del filtro.
4. Realizar las operaciones de limpieza de manera esmerada.
5. Volver a montar todo.

**LIMPIEZA DE LOS CEPILLOS**

Desmontar los cepillos y limpiarlos con un chorro de agua (para el desmontaje de los cepillos ver en seguida "DESMONTAJE DE LOS CEPILLOS").

**DESMONTAJE DE LOS CEPILLOS**

1. Levantar la bancada bajando el pedal (10).
2. Quitar la alimentación eléctrica al motor de los cepillos desconectando el conector de las baterías (1). Las máquinas que están equipadas de encendido con llave (ver "ACCESORIOS OPCIONALES"), hay que girar la llave en sentido antihorario.



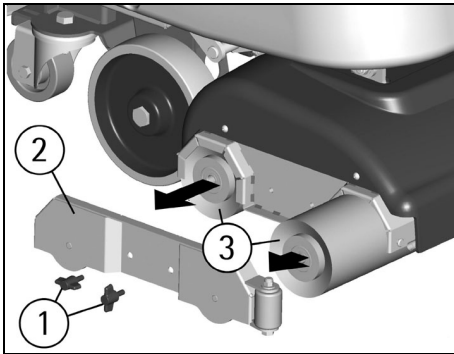
3. Estando la bancada cepillos en posición alta, destornillar las dos mariposas (1) y luego remover el soporte lateral de los cepillos (2).

4. Soltar los cepillos (3) de los huecos para proceder a su limpieza o sustitución.

5. Para volver a montarlos, reintroducir los cepillos (3) en los huecos de la parte del acoplado hexagonal, con el cuidado de encontrar el acoplado a la extremidad opuesta y de introducirlos completamente.

6. Reposicionar el soporte lateral (2) de manera que los pernos del soporte entren en los orificios de los cojinetes visibles al centro de los cepillos.

7. Volver a atornillar y bloquear las mariposas.



#### ⚠ ATENCIÓN:

Realizar las operaciones de desmontaje de los cepillos con la alimentación conectada puede causar lesiones a las manos.

#### ⚠ ATENCIÓN:

Estas operaciones de la manipulación de los cepillos tienen que ser realizadas llevando guantes aptos para protegerse tanto mecánicamente del contacto de las cerdas como por el riesgo químico del contacto con soluciones peligrosas.

#### LIMPIEZA DE LA BOQUILLA DE SECADO

Mantener la boquilla de secado limpia es garantía de un mejor secado.

Para su limpieza es necesario:

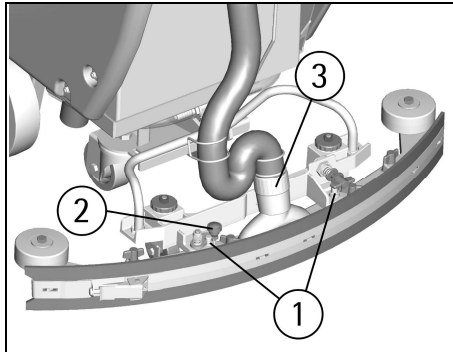
1. Sacar el tubo de la boquilla de secado (3) del manguito.

2. Desmontar la boquilla de secado del soporte girando la palanca (2) en sentido antihorario y haciendo pasar los prisioneros (1) en los ojales apropiados.

3. Limpiar esmeradamente el interior del empalme sobre la boquilla de secado eliminando eventuales depósitos de suciedad.

4. Limpiar esmeradamente los labios de aspiración.

5. Volver a montar todo.



#### MANTENIMIENTO SEMANAL

##### SUSTITUCIÓN DEL LABIO TRASERO DE LA BOQUILLA DE SECADO

Controlar el estado de desgaste del labio de secado y eventualmente girarlo o sustituirlo.

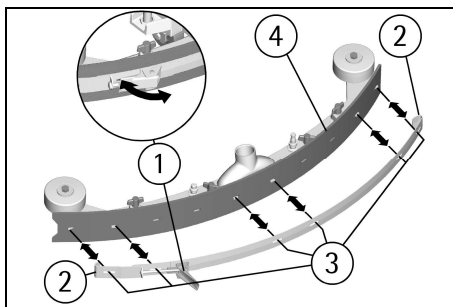
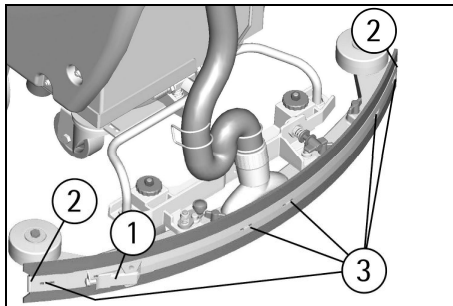
Para la sustitución es necesario:

1. Levantar la boquilla de secado alzando la palanca (fig. 1, pos. 17).

2. Desenganchar el cierre (1) del listón fijador del labio, liberar las extremidades (2) del cuerpo de la boquilla de secado y sacar el labio (4).

3. Girar el borde o sustituir el labio (4).

Para volver a montar la boquilla de secado repetir en orden inverso las operaciones arriba descritas poniendo en las guías apropiadas (3) el labio (4), empujando las extremidades (2) del listón fijador del labio sobre el cuerpo de la boquilla de secado y por fin enganchando el cierre (1).



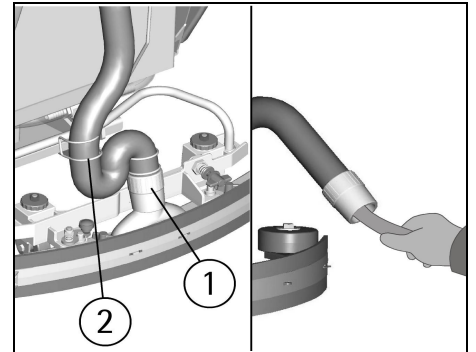
##### LIMPIEZA DEL TUBO DE LA BOQUILLA DE SECADO

Cada semana o en caso de aspiración insuficiente es necesario controlar que el tubo boquilla de secado no esté obstruido. Eventualmente para limpiarlo proceder como sigue:

1. Soltar el tubo del manguito de la boquilla de secado (1) y desenganchar el resorte guía tubo boquilla de secado (2).

2. Lavar el interior del tubo con un chorro de agua introducido desde el lado por el cual se introduce en la boquilla de secado.

3. Para volver a montar el tubo repetir en orden inverso las operaciones arriba descritas.



#### LIMPIEZA DEL DEPÓSITO SOLUCIÓN Y FILTRO

1. Llevar la máquina hasta el lugar previsto para la descarga del agua.

2. Desenroscar la tapa de carga (1) del depósito solución.

3. Desenroscar el tapón de descarga (2).

4. Las máquinas equipadas del dispositivo opcional de la descarga de la solución, es suficiente abrir el grifo del dispositivo (ver "DISPOSITIVO DE DESCARGA DE LA SOLUCIÓN").

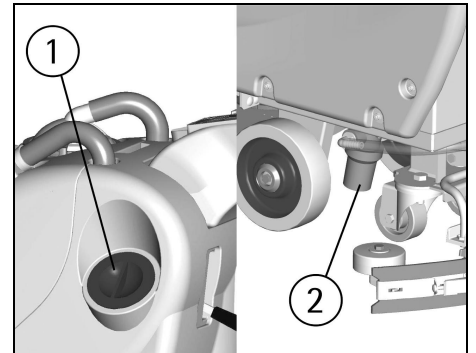
5. Enjuagar con un chorro de agua el depósito solución.

6. Enjuagar el filtro depósito solución puesto en el interior del tapón de descarga debajo de la máquina.

7. Volver a montar todo y cerrar, si presente, el grifo del dispositivo de descarga.

#### ⚠ ATENCIÓN:

Esta operación tiene que ser realizada llevando guantes para protegerse del contacto con soluciones peligrosas.



#### MANTENIMIENTO BIMESTRAL

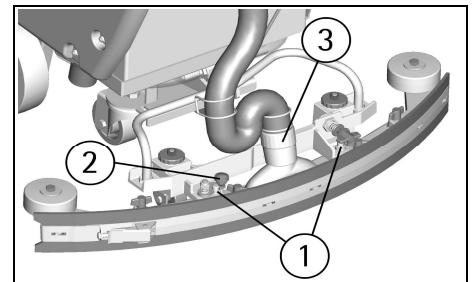
##### SUSTITUCIÓN DEL LABIO DELANTERO DE LA BOQUILLA DE SECADO

Controlar el estado de desgaste del labio delantero de la boquilla y eventualmente sustituirlo.

Para la sustitución es necesario:

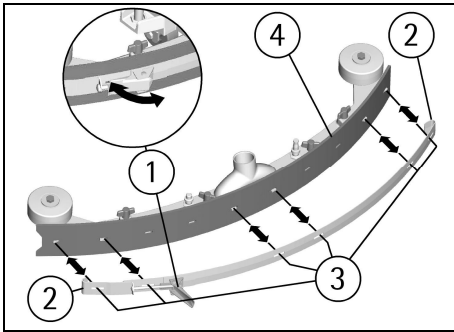
1. Sacar el tubo de la boquilla de secado (3) del manguito.

2. Desmontar la boquilla de secado del soporte girando la palanca (2) en sentido antihorario y haciendo pasar los prisioneros (1) en los ojales apropiados.

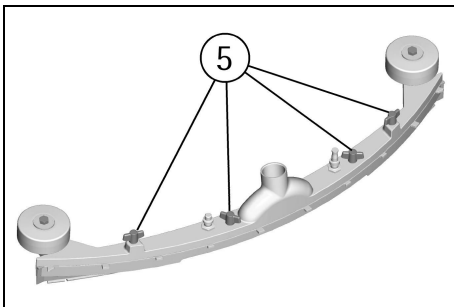




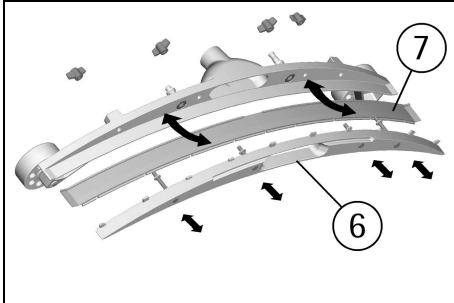
3. Desenganchar el cierre (1) del listón fijador del labio, liberar las extremidades (2) del cuerpo de la boquilla de secado y sacar el labio (4).



4. Destornillar las mariposas (5) en la parte superior de la boquilla de secado.



5. Soltar la parte inferior (6) del cuerpo de la boquilla de secado para poder sacar el labio delantero (7).



6. Sustituir el labio delantero.  
7. Para volver a montar la boquilla de secado repetir en orden inverso las operaciones arriba descritas.

La verificación del estado de funcionamiento de la máquina viene deferida al centro de asistencia técnica autorizado.

## CONTROL DE FUNCIONAMIENTO

### SEÑALES SOBRE EL DISPLAY

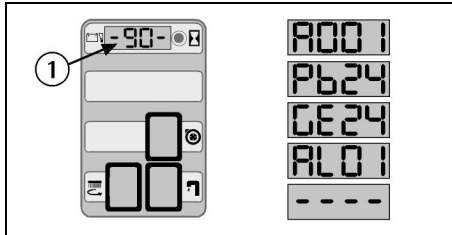
A001: Indicación de la versión de la ficha electrónica de control (la última cifra indica el índice de revisión de la ficha).

Pb24: Indicación de la ficha batería regulada para baterías de plomo.

GE24: Indicación de la ficha batería regulada para baterías de gel.

AL01: Señal de absorción de corriente excesivo del motor de los cepillos, solo en las máquinas equipadas de dispositivo para el reglaje de la presión de los cepillos (ver "ACCESORIOS OPCIONALES").

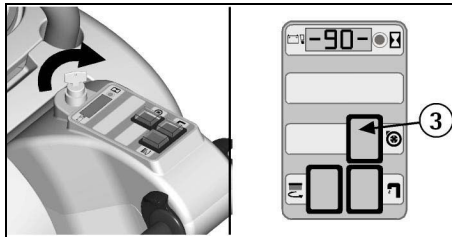
---- (relampagueante): señal de las baterías descargadas y intervención del dispositivo de bloqueo de los cepillos.



### EL MOTOR DE ASPIRACION NO FUNCIONA

1. Comprobar que el interruptor (3) esté encendido.
2. Comprobar que el interruptor con llave (ver "ACCESORIOS OPCIONALES") esté en la posición correcta.

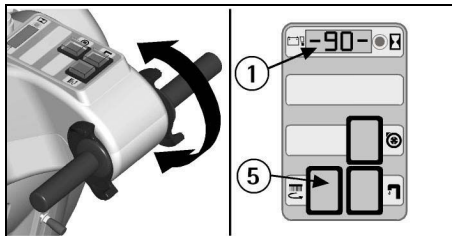
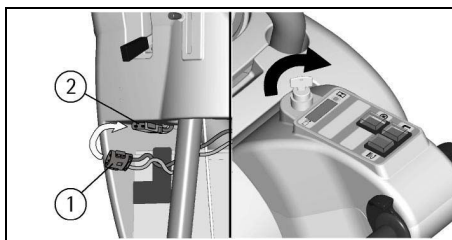
Si el desperfecto continua, contactar el centro de asistencia técnica autorizado.



### EL MOTOR DE LOS CEPILLOS NO FUNCIONA

1. Comprobar que el interruptor con llave (ver "ACCESORIOS OPCIONALES") esté en la posición correcta.
2. Controlar el estado de carga de las baterías.
3. Comprobar que el conector de las baterías (1) esté conectado correctamente.
4. Comprobar que el interruptor (5) esté encendido.
5. Accionar las palancas presencia hombre.

6. Las máquinas equipadas del dispositivo de protección sobrecarga motor de los cepillos (ver "ACCESORIOS OPCIONALES"), controlar que en el display (1) no aparezca la sigla AL01 (alarma sobrecarga del motor de los cepillos).  
Si el desperfecto continua, contactar el centro de asistencia técnica autorizado.



### ⚠ ATENCIÓN:

No hay que dejar nunca las baterías descargadas por mucho tiempo.

### LOS MOTORES NO FUNCIONAN

Si la máquina está entregada con el cargador de las baterías incorporado (opcional), verificar:

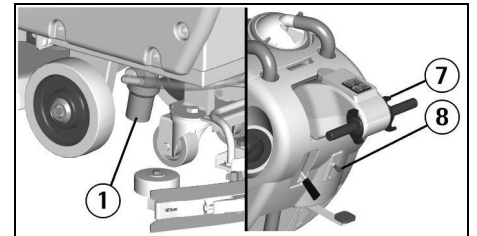
1. si está efectuando la recarga de las baterías. En este caso, la máquina está desconectada.
2. que los interruptores estén encendidos.
3. que el interruptor con llave (ver "ACCESORIOS OPCIONALES") esté en la posición correcta.

Si el desperfecto continua, contactar el centro de asistencia técnica autorizado.

### EL AGUA EN LOS CEPILLOS NO ES SUFICIENTE

1. Controlar que la palanca del grifo (8) esté abierto.
2. Controlar el nivel del líquido en el depósito solución.
3. Controlar que el filtro de solución (1) esté limpio.

4. Si la máquina está equipada con electroválvula (ver "ACCESORIOS OPCIONALES"), accionar las palancas presencia hombre (7).  
Si el desperfecto continua, contactar el centro de asistencia técnica autorizado.



### LA MAQUINA NO LIMPIA BIEN

1. Los cepillos no tienen las cerdas de la dimensión apropiada: utilizar solamente cepillos originales. Para una sugerencia, contactar el centro de asistencia técnica autorizado.
2. Los cepillos tienen las cerdas gastadas. Controlar el estado de desgaste de los cepillos y eventualmente sustituirlos.

Para la sustitución de los cepillos ver "DESMONTAJE DE LOS CEPILLOS" y "MONTAJE DE LOS CEPILLOS".  
3. La solución detergente no es suficiente: abrir más el grifo.

4. Controlar que el detergente esté en el porcentaje aconsejado.

Consultar el centro de asistencia técnica autorizado para una sugerencia.

### LA BOQUILLA DE SECADO NO SECA PERFECTAMENTE

1. Controlar que los labios de secado estén limpios.
2. Controlar el reglaje de la altura y la inclinación de la boquilla de secado (ver "BOQUILLA DE SECADO" en "ANTES DEL EMPLEO").
3. Controlar que el tubo de aspiración esté conectado correctamente en su alojamiento sobre el depósito de recuperación.

4. Intervenir sobre el filtro de aspiración limpiándolo.

5. Sustituir los labios si gastados.
6. Controlar que el interruptor del motor de aspiración esté encendido.
7. Controlar que el depósito de recuperación esté vacío.

7. Controlar que el depósito de recuperación esté vacío.

### PRODUCCIÓN EXCESIVA DE ESPUMA

Controlar que se haya empleado un detergente de espuma controlada. Eventualmente añadir una mínima cantidad de líquido antiespumante en el depósito de recuperación.

Hay que tener en cuenta que hay una mayor producción de espuma cuando el suelo está poco sucio. En este caso diluir aún más la solución detergente.

## MANTENIMIENTO PROGRAMADO

INTERVENCIÓN	DIARIA	SEMANAL	BIMESTRAL	SEMESTRAL
LIMPIEZA DEPÓSITO DE RECUPERACIÓN	•			
LIMPIEZA FILTRO DE ASPIRACIÓN	•			
LIMPIEZA FILTRO SOLUCIÓN		•		
LIMPIEZA DE LOS CEPILLOS	•			
DESMONTAJE DE LOS CEPILLOS	•			
LIMPIEZA DE LA BOQUILLA DE SECADO	•			
SUSTITUCIÓN DEL LABIO DELANTERO DE LA BOQUILLA DE SECADO			•	
SUSTITUCIÓN DEL LABIO TRASERO DE LA BOQUILLA DE SECADO		•		
CONTROL DE REGLAJE BOQUILLA DE SECADO		•		
LIMPIEZA DEL TUBO DE LA BOQUILLA DE SECADO		•		
LIMPIEZA DEL DEPÓSITO SOLUCIÓN		•		
CONTROL DEL ELECTRÓLITO BATERÍAS		•		
CONTROL DEL MOTOR DE LOS CEPILLOS				•
CONTROL DEL MOTOR DE ASPIRACIÓN			•	
CONTROL DEL GRUPO BANCADA DE LOS CEPILLOS			•	
AJUSTE DE LOS TORNILLOS				•

## CEPILLOS ACONSEJADOS

Los cepillos tienen que ser elegidos en función del tipo de suelo y de la suciedad que se lava. El material empleado y el diámetro de las cerdas son los elementos que diferencian los cepillos.

MATERIAL	CARACTERÍSTICAS
PPL (Polipropileno)	Buena resistencia al desgaste. Mantiene las características con agua caliente hasta 60°C. No es higroscópico.
NYLON	Excelente resistencia al desgaste, también con agua caliente más de 60°C. Es higroscópico. Con el tiempo va perdiendo las características físicas.
ESPESOR DE LAS CERDAS	Las cerdas de mayor espesor son más rígidas y por consiguiente hay que emplearlas sobre suelos lisos o con intervalos pequeños. Para suelos irregulares o con relieves o con intervalos hondos es aconsejable emplear cerdas más suaves que penetran más fácilmente en profundidad. Hay que tener en cuenta que cuando las cerdas del cepillo están desgastadas y por consiguiente demasiado cortas, se vuelven rígidas, ya no logran penetrar y limpiar en profundidad, pues como en caso de cerdas demasiado gruesas el cepillo tiende a saltar.

MÁQUINA	CÓDIGO	CANTIDAD	DESCRIPCIÓN
BR 18 11	48901200	2	Cepillo cilíndrico nylon 0,6 Ø 95x462
	48901210	2	Cepillo cilíndrico PPL 0,4 Ø 95x462
	48901220	2	Cepillo cilíndrico PPL 0,3 Ø 95x462
	48901230	2	Cepillo cilíndrico nylon 0,3 Ø 95x462



## Long Term Buyer Protection Limited Warranty

Tornado Industries, Inc. (Tornado) garantiza al consumidor final que los productos Tornado no tendrán defectos de materiales ni mano de obra durante el período indicado abajo. Esta garantía limitada NO cubre a las máquinas y/o componentes sujetos al desgaste normal, los daños ocasionados durante el envío, las fallas producidas por modificaciones, accidentes, entorno operativo inadecuado, mal uso, abuso, negligencia o mal mantenimiento por parte del usuario. Para más detalles, contáctese con su Distribuidor de Tornado Autorizado, el Centro de Reparaciones, o el Departamento de Servicio Técnico de Tornado. Los representantes de ventas y servicio técnico de Tornado no están autorizados a renunciar o alterar los términos de esta garantía, ni a incrementar las obligaciones de Tornado bajo esta garantía.

**10 Años\***

Tanques de agua plásticos y cuerpos moldeados en forma rotatoria

**2 Años\***

Piezas de todos los equipos de limpieza Tornado

**1 Año\***

Mano de obra de todos los equipos de limpieza Tornado

**1 Año\***

**Garantía de baterías, un año prorrateado.**

Todas las garantías de las baterías son manejadas directamente por el fabricante de las baterías, en base a un año prorrateado

### **Términos sujetos a cambios sin previo aviso.**

1. Con excepción de los Ventiladores-Secadores Windshear™, de tiro lateral y descendente, Ventiladores de Aislamiento, CV 30, CV 38, CK14/1 PRO, CK 14/2 PRO, SWM31/9, CK LW 13/1, CK LW 13/1 ROAM, CV 38/48 Dual, PV6, PV10, PV6 ROAM, Wall Mount todas las Barredoras, Aspiradoras en Seco, y todos los cargadores tienen garantía por 1 (un) año tanto para sus piezas como para la mano de obra.
2. Todas las piezas no desgastadas compradas después del vencimiento de la garantía, tienen garantía por 90 días.
3. La garantía comienza a correr desde la fecha de venta al consumidor o, a discreción de Tornado, 6 meses después de que el vendedor compre la unidad a Tornado, lo que ocurra primero.
4. El artículo EB 30 tiene garantía por un período de 90 días tanto para sus piezas como para la mano de obra.
5. La garantía de los motores utilizados en equipos a propano se limita a la garantía de fábrica del motor.
6. Las fregadoras con conductor tienen garantía de 24 meses para sus piezas, 6 meses para la mano de obra o 1000 horas, lo que ocurra primero.

Nota: Tornado, The Latest Dirt, Floorkeeper, Carpetkeeper, Carpetrinser, Carpetrinser/Dryer, Headmaster, Taskforce, PAC-VAC, T-Lite, Glazer, Windshear, Max-Vac, y Trot-Mop son marcas registradas de Tornado Industries

Sitio web: [www.tornadovac.com](http://www.tornadovac.com)  
Teléfono 1.800.VACUUMS  
Fax: 817-551-0719  
Dirección: 3101 Wichita Court  
Fort Worth, TX 76140

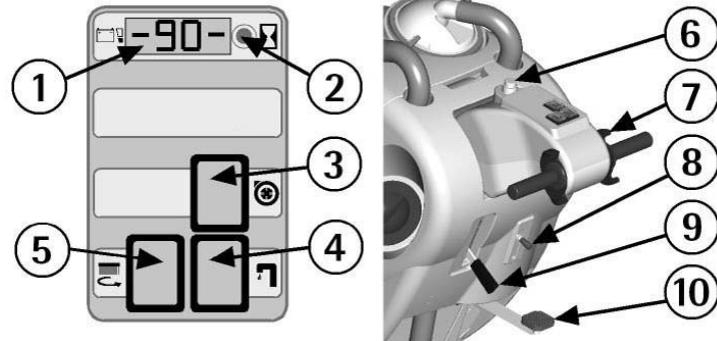


## SOMMAIRE

LEGENDE TABLEAU DE BORD ET CONTROLES	30
LEGENDE MACHINE	30
ENSEMBLES OPTIONNELS	31
CARACTERISTIQUES TECHNIQUES	31
AVANT-PROPOS	32
NORMES GENERALES DE SECURITE	32
SYMBOLOGIE	32
AVANT DE L'UTILISATION	33
Déplacement de la machine emballée	33
Déballage de la machine	33
Installation des batteries et réglage du type batterie	33
Chargeur des batteries	33
Chargeur batteries incorporé (optionnel)	33
Recharge des batteries	33
Recharge des batteries avec le chargeur des batteries incorporé (optionnel)	33
Elimination des batteries	34
Indicateur de niveau de charge batteries	34
Compteur horaire	34
Montage du suceur	34
Réglage de l'hauteur du suceur	34
Réglage de l'INCLINAISON du suceur	34
Montage des brosses	34
Réservoir de récupération	35
Réservoir de la solution détergente	35
NETTOYAGE DES SOLS	35
Connexion des batteries à la machine	35
Actionnement de la machine	35
Réglage de la pression des brosses	35
Dispositif de protection surcharge du moteur des brosses (optionnel)	35
Dispositif trop plein	36
Vidange de la solution détergente	36
Dispositif vidange de la solution détergente (optionnel)	36
Avance	36
Arrêt	36
ARRET DE LA MACHINE A LA FIN DU NETTOYAGE	36
ENTRETIEN JOURNALIER	36
Nettoyage du réservoir de récupération	36
Nettoyage du filtre d'aspiration	36
Nettoyage des brosses	36
Démontage des brosses	36
Nettoyage du suceur	37
ENTRETIEN HEBDOMADAIRE	37
Remplacement de la bavette arrière du suceur	37
Nettoyage tuyau du suceur	37
Nettoyage du réservoir solution et filtre	37
ENTRETIEN BIMESTRIEL	37
Remplacement de la bavette avant du suceur	37
CONTROLE DE FONCTIONNEMENT	38
Signalisations sur l'indicateur	38
Le moteur d'aspiration ne fonctionne pas	38
Le moteur des brosses ne fonctionne pas	38
Les moteurs ne fonctionnent pas	38
L'eau sur les brosses n'est pas suffisante	38
La machine ne nettoie pas bien	38
Le suceur ne sèche pas parfaitement	38
Production excessive de mousse	38
ENTRETIEN PROGRAMME	39
BROSSES CONSEILLEES	39
GARANTIE LIMITEE DE LA PROTECTION A LONG TERME DE L'ACHETEUR	40

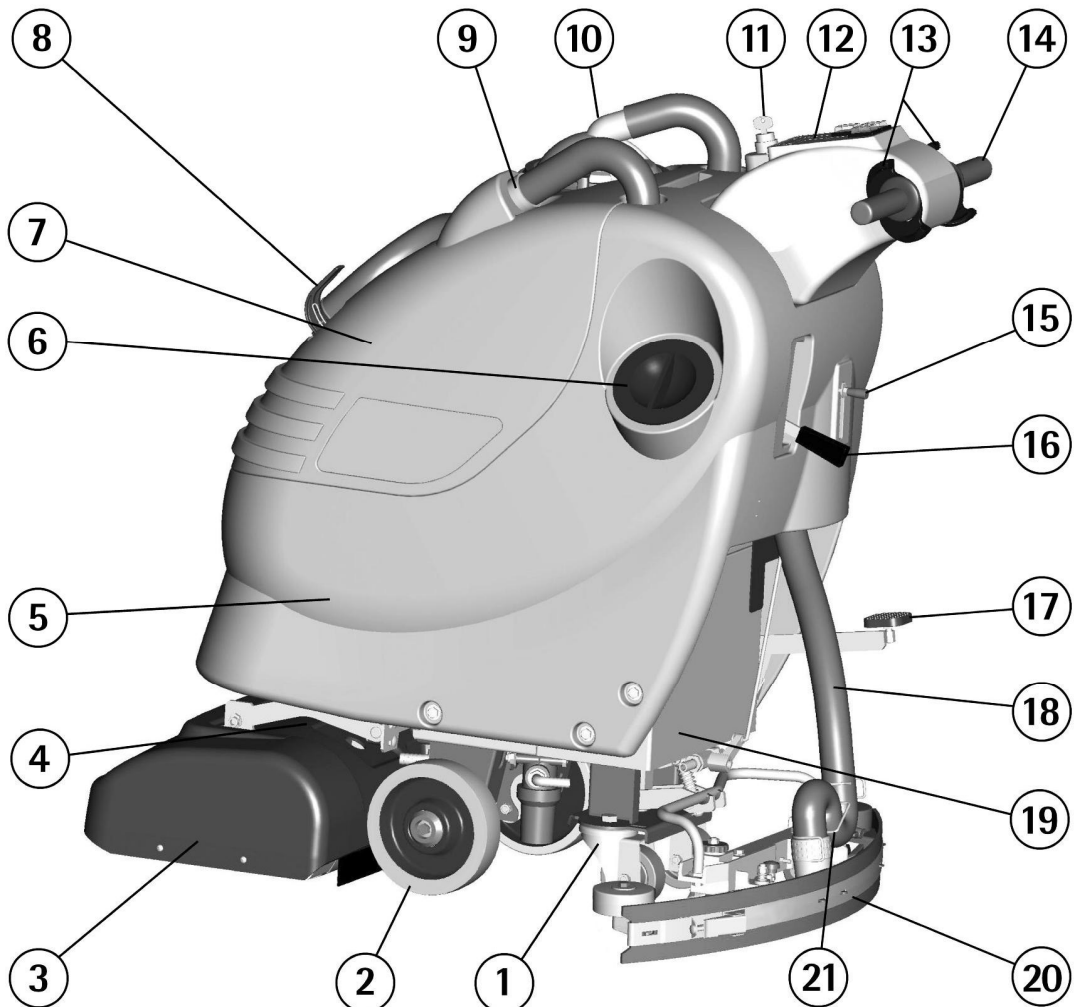
### LEGENDE TABLEAU DE BORD ET CONTROLES

- |  |  |
|--|--|
| 1. INDICATEUR NIVEAU DE CHARGE BATTERIES/COMPTEUR HORAIRE      | 5. INTERRUPTEUR MOTEUR DES BROSSES                 |
| 2. BOUTON POUSSOIR VISUALISATION COMPTEUR HORAIRE (INDICATEUR) | 6. INTERRUPTEUR A CLEF (OPTIONNEL)                 |
| 3. INTERRUPTEUR MOTEUR D'ASPIRATION                            | 7. LEVIERS PRESENCE HOMME                          |
| 4. TEMON DE SIGNALISATION ROBINET OUVERT                       | 8. LEVIER ROBINET                                  |
|  | 9. LEVIER DE RELEVAGE SUCEUR                       |
|  | 10. PEDALE DE RELEVAGE GROUPE D'EMBASE DES BROSSES |



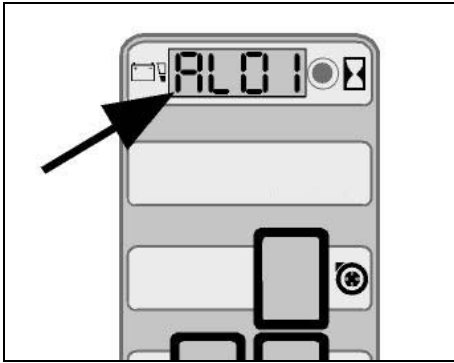
### LEGENDE MACHINE

- |   |  |
|---|--|
| 1. ROUES PIVOTANTES                             | 11. INTERRUPTEUR A CLEF (OPTIONNEL)                |
| 2. RUOES  | 12. TABLEAU DE BORD                                |
| 3. GROUPE D'EMBASE DES BROSSES                  | 13. LEVIERS PRESENCE HOMME                         |
| 4. ELECTROVANNE (OPTIONNEL)                     | 14. POIGNEES DE TIMON                              |
| 5. RESERVOIR DE SOLUTION                        | 15. LEVIER ROBINET                                 |
| 6. BOUCHON REMPLISSAGE SOLUTION DETERGENTE      | 16. LEVIER DE RELEVAGE SUCEUR                      |
| 7. RESERVOIR DE RECUPERATION                    | 17. PEDALE DE RELEVAGE GROUPE D'EMBASE DES BROSSES |
| 8. BOUCHON DE VIDANGE RESERVOIR DE RECUPERATION | 18. TUYAU DU SUCEUR                                |
| 9. LOGEMENT D'ENTREE TUYAU DE SUCEUR            | 19. BATTERIES                                      |
| 10. COUVERCLE D'ASPIRATION                      | 20. ENSEMBLE DE SUCEUR                             |
|   | 21. RESSORT GUIDE TUYAU DE SUCEUR                  |

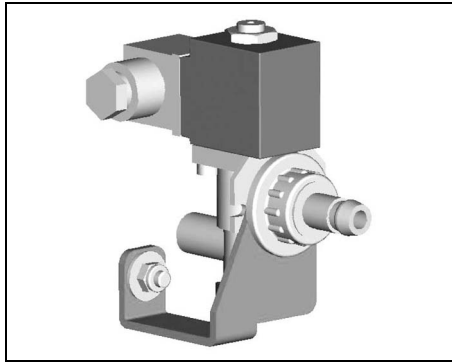




## ENSEMBLES OPTIONNELS



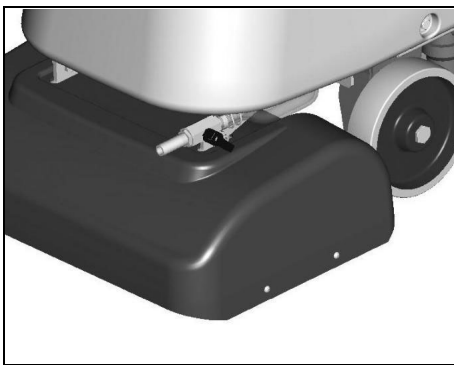
Dispositif de protection surcharge du moteur des brosses



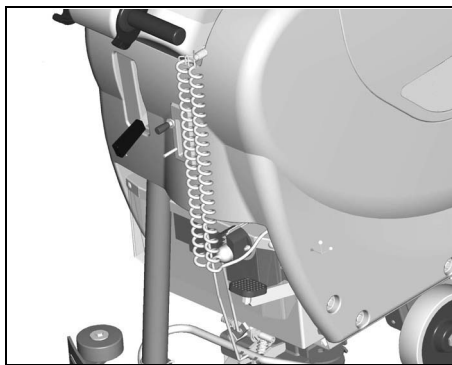
Electrovanne



Interrupteur à clef



Dispositif de vidange de la solution détergente



Chargeur des batteries incorporé

## CARACTERISTIQUES TECHNIQUES

## U/M

## BR 18 11

Largeur de travail	mm/in	460/18
Largeur de suceur	mm/in	770/30.3
Capacité de travail, jusqu'à	sqm/h/sqft/hr	1670/17975
Diamètre des brosses	mm/in	2x95/2x3.75
Vitesse de rotation des brosses	rpm	950
Pression sur les brosses	kg/lbs	30/66 max
Moteur des brosses	W/A	600/25
Type d'avancement		semi-aut.
Pente maximale		2%
Moteur d'aspiration	W/A	570/24
Dépression d'aspiration	mbar/in water lift	120/48
Réservoir d'eau propre	l/gal	40/11
Réservoir de récupération	l/gal	45/12
Longueur machine	mm/in	1090/43
Hauteur machine	mm/in	1053/41
Largeur machine (sans suceur)	mm/in	548/21
Capacité des batteries	V/Ah <sub>5h</sub>	24/110
Poids des batteries	kg/lbs	74/163
Compartment des batteries	mm/in	342x345x300/13.5x13.5x12
Poids de la machine (à vide et sans les batteries)	kg/lbs	71/157
Classe		III
Tension	V	24

## AVANT-PROPOS

Nous vous remercions pour avoir choisi notre machine. Cette machine est une autolaveuse qui vient utilisée pour le nettoyage industriel et civil pour tout type de revêtement. Durant sa translation, l'action combinée des brosses et de la solution détergent enlève la saleté qui vient récupérée avec le groupe d'aspiration arrière, en permettant un séchage parfait et immédiat du sol.

La machine doit être utilisée seulement dans ce but. Elle fournit les meilleures performances si elle est utilisée correctement et maintenue efficacement. Nous vous prions de bien vouloir lire cette brochure d'instruction pour la mise en route et l'entretien de votre machine. En cas de nécessité, notre service d'assistance est à disposition pour tout conseil ou intervention.

## NORMES GENERALES DE SECURITE

Les normes indiquées doivent être suivies scrupuleusement pour éviter des dommages pour l'opérateur et la machine.

- Lire avec attention les étiquettes sur la machine. Ne pas les effacer et les remplacer immédiatement en cas d'altération.

- La machine doit être utilisée exclusivement par du personnel autorisé et informé sur l'utilisation.

- Pendant le fonctionnement de la machine, faire attention aux autres personnes et surtout aux enfants.

- Ne pas mélanger des détergents différents pour éviter des dégagements gazeux.

- Ne pas mettre de bidons de liquide sur la machine.

- Température de stockage: entre -25°C et +55°C.

- Bonne température d'utilisation: entre 0°C et 40°C.

- L'humidité doit être entre 30 et 95%.

- Ne pas utiliser la machine en atmosphère explosive.

- Ne pas utiliser la machine comme moyen de transport.

- Ne pas utiliser de solution acide qui peut détériorer la machine et/ou les personnes.

- Eviter de laisser tourner les brosses lorsque la machine est à l'arrêt pour ne pas abîmer le sol.

- Ne pas utiliser la machine sur des surfaces humides ou poussières inflammables (par exemple hydrocarbures, cendres ou suie).

- En cas d'incendie utiliser un extincteur à poudre.

Ne pas utiliser d'eau.

- Ne pas monter de rayonnage ou d'échafaudage lorsqu'il y a des risques de chute d'objets.

- Adapter la vitesse d'utilisation aux conditions d'adhérence.

- Ne pas utiliser la machine sur des surfaces ayant une pente supérieure à celle indiquée sur la plaque signalétique.

- La machine est utilisée pour des opérations de nettoyage et d'aspiration. Les autres opérations devront être effectuées dans des zones interdites au personnel non autorisé.

- Signaler de façon visible les endroits où le sol est humide.

- En cas d'anomalies dans le fonctionnement de la machine, s'assurer qu'elles ne dépendent pas d'une manquée d'entretien ordinaire. Dans le cas contraire appeler le service après-vente autorisé.

- En cas de remplacement de pièces, commander les pièces ORIGINALES au distributeur et/ou revendeur autorisé.

- Utiliser seulement des brosses ORIGINALES indiquées dans le paragraphe "BROSSES CONSEILLÉES".

- Pour réaliser les intervention de nettoyage et/ou de manutention, stopper l'alimentation électrique de la machine.

- Ne pas enlever les protections qui réclament des outils pour les déplacer.

- Ne pas laver la machine à grand jets ou avec une haute pression ou avec des produits corrosifs.

- Toutes les 200 heures de travail, faire procéder à un contrôle par un centre d'assistance autorisé.

- Pour éviter l'encrassement du filtre de solution, ne pas remplir le réservoir de solution détergente trop longtemps avant l'utilisation de la machine.

- Avant d'utiliser la machine, vérifier que tous panneaux et carters soient positionnés suivant les indications de ce manuel.

- Avant d'enlever le réservoir de récupération s'assurer qu'il soit vide.

- Rétablir toutes les connexions électriques après n'importe quelle intervention d'entretien.

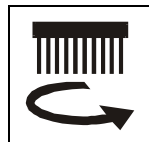
- Pourvoir à l'élimination des pièces consommables en suivant scrupuleusement les normes des lois en vigueur.

- Quand votre machine est à l'arrêt, prévoir d'éliminer dans les conteneurs spéciaux l'huile, les batteries et les composants électroniques en prenant en compte que la machine est fabriquée, où possible, avec des matériaux recyclables.

## SYMBOLOLOGIE



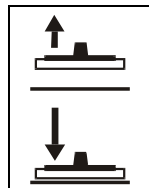
Symbole du robinet. On l'utilise pour indiquer le levier du robinet. On l'utilise pour indiquer le voyant du robinet ouvert.



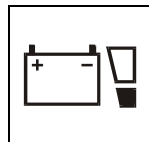
Symbole de la brosse. On l'utilise pour indiquer l'interrupteur du moteur des brosses.



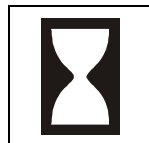
Symbole du moteur d'aspiration. On l'utilise pour indiquer l'interrupteur du moteur d'aspiration.



Symbole monté-descente du suceur. On l'utilise pour indiquer le levier du suceur.



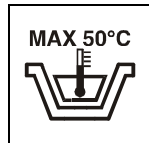
Symbole du niveau du charge des batteries.



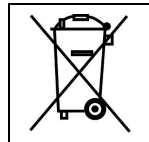
Indicateur du compteur horaire.



Indication du tuyau de vidange du réservoir de la récupération.



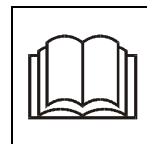
Indication de la température maximale du détergent de la solution. Elle est située près du trou de remplissage du réservoir de la solution.



Symbole du bidon barré. Indication que à l'arrêt de la machine, elle doit être écoulee conformément aux législations en vigueur.



Symbole de lecture du manuel d'utilisation entretien. Indique à l'opérateur qu'il doit lire le manuel avant d'utiliser la machine.



Symbole de lecture du manuel d'utilisation entretien. Pour une bonne fonctionnement du chargeur des batteries incorporé (optionnel), lire le manuel du constructeur.



Symbole d'avertissement. Lire attentivement les paragraphes précédés de ce symbole, pour la sécurité de l'opérateur et de la machine.

## AVANT DE L'UTILISATION

### DEPLACEMENT DE LA MACHINE EMBALLEE

La machine est fournie avec un emballage spécifique prévu pour le déplacement avec des chariots à fourches.

Le poids total est de 95 kg.

Les dimensions de l'emballage sont:

**Base:** 118 cm x 67 cm

**Hauteur:** 119 cm

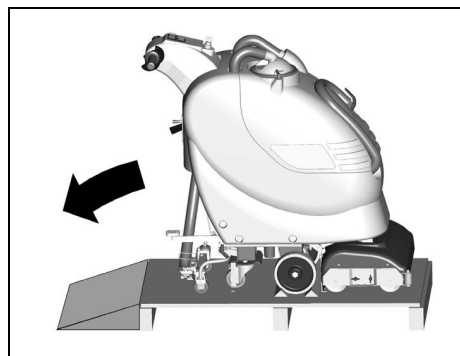
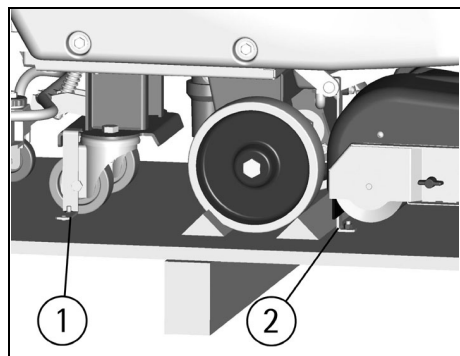


#### ATTENTION:

Ne pas mettre plus de deux emballages l'un sur l'autre.

### DEBALLAGE DE LA MACHINE

1. Enlever l'emballage extérieur.
2. Dévisser les étriers (1+2) qui fixent la machine à la palette.
3. Faire descendre la machine de la palette en la poussant dans le sens inverse de la marche, comme indiquée dans la figure, en évitant tout chocs violents aux pièces mécaniques.
4. Conserver la palette pour une éventuelle nécessité de transport.

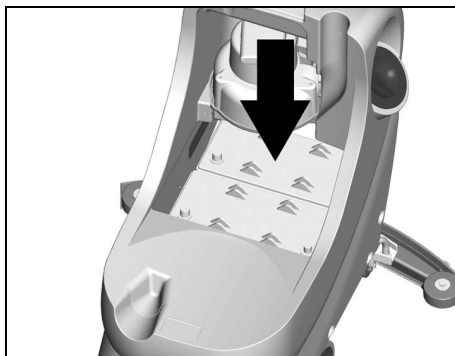


### INSTALLATION DES BATTERIES ET REGLAGE DE DU TYPE BATTERIE

La machine réclame l'utilisation de deux batteries à 12 Volt connectées en série, logées dans le compartiment prévu sous le réservoir de récupération et doivent être déplacées avec des moyens de levage appropriés (tant pour le poids que pour le système d'accrochage).

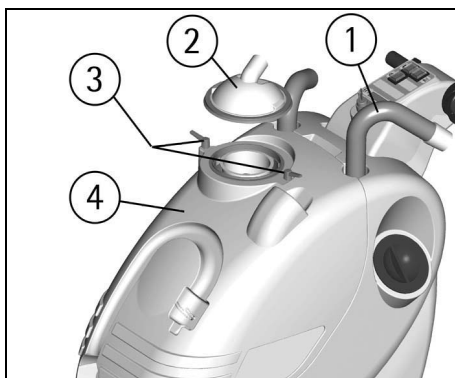
Les batteries doivent en outre répondre aux demandes de la Norme CEI 21-5.

La connexion des câbles des batteries doit être réalisée par du personnel qualifié, parce que l'inversion de la polarité provoque la rupture des composants électriques. Avant d'alimenter la machine contrôler que le câble rouge soit connecté au pôle + de la batterie.



Pour l'installation des batteries il est nécessaire de:

1. Détacher le tuyau du suceur (1).
2. Enlever le couvercle d'aspiration (2) depuis avoir tourné les leviers (3) qui le bloquent.
3. Enlever le réservoir de récupération (4).
4. Positionner les batteries dans son logement.
5. **Connecter les bornes en respectant les polarités et en faisant attention de ne pas mettre en court-circuit les batteries avec des outils.**
6. Remonter le tout.

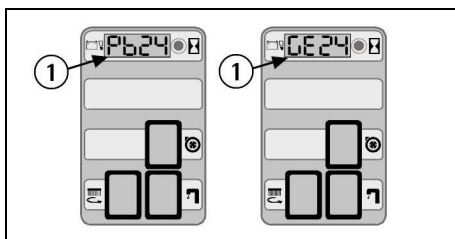


#### ATTENTION:

La machine et sa plaque contrôle des batteries prévoient l'utilisation des batteries traditionnelles au plomb.

**VERIFIER LE REGLAGE DE LA PLAQUE SUR L'INDICATEUR (1).**

Dans le cas d'un montage de batteries au GEL, il est nécessaire d'effectuer le réglage de la plaque électronique. Nous vous prions de bien vouloir appeler le service d'assistance technique autorisé.



#### ATTENTION:

Pour l'entretien et la recharge journalière des batteries, il est indispensable de se conformer scrupuleusement aux instructions du constructeur ou de son représentant. Toutes les opérations d'installation et d'entretien doivent être réalisées par du personnel qualifié, en utilisant des dispositifs de protection appropriés.

### CHARGEUR DES BATTERIES

S'assurer que le chargeur des batteries soit adapté aux batteries installées pour la capacité ainsi que pour le type (plomb/acide ou GEL et équivalentes).

Dans le sac qui contient le livret d'emploi et d'entretien, on vous fourni le connecteur d'accouplement pour le chargeur des batteries. Ce connecteur doit être monté sur les câbles de votre chargeur en suivant les instructions fournies du constructeur du chargeur.



#### ATTENTION:

Cette opération doit être réalisée par du personnel qualifié. Une connexion erronée ou imparfaite des câbles au connecteur peut causer des dommages sérieux aux personnes ou à d'autres choses.

### CHARGEUR BATTERIES INCORPORE (OPTIONNEL)

Si la machine est équipée avec le chargeur des batteries incorporé (voir dans "ENSEMBLES OPTIONNELS") on renvoie aux instructions du constructeur de cet dispositif pour les opérations de recharge.

Pour vérifier le type du chargeur des batteries monté, contrôler la plaque matricule.

Le chargeur des batteries est connecté directement aux pôles des batteries.

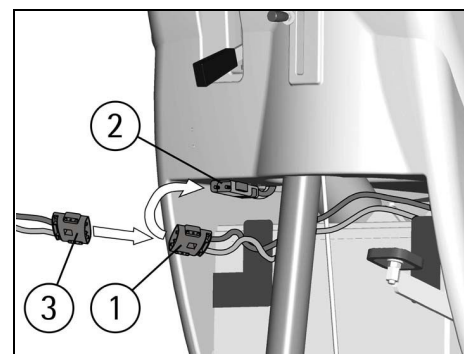
Pendant les opérations de recharge un dispositif est activé qui ne permet pas le fonctionnement de la machine.

Le câble d'alimentation du chargeur des batteries a une longueur maximale de deux mètres et doit être connecté à une prise monophasé type CEE 7/7.

### RECHARGE DES BATTERIES

Amener la machine sur une surface plate.

Insérer le connecteur des batteries (1) situé dans la partie arrière de la machine, au connecteur (3) du chargeur des batteries.



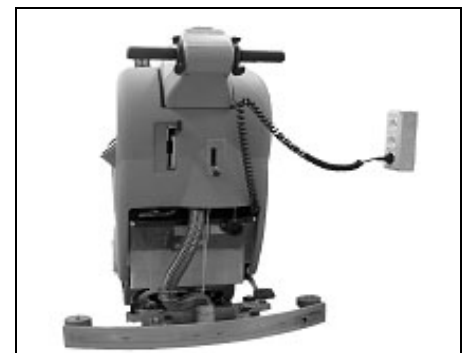
### RECHARGE DES BATTERIES AVEC LE CHARGEUR DES BATTERIES INCORPORE (OPTIONNEL)

Amener la machine sur une surface plate près d'une prise du réseau monophasé avec tension 115V, fréquence 60Hz, courant nominal 10A.

Actionner les interrupteurs du moteur des brosses, du moteur d'aspiration et de l'électrovanne pour les stopper.

Insérer la fiche dans la prise de courant.

A la fin de la phase de recharge, enlever la fiche de la prise.



**ATTENTION:**

Ne jamais charger une batterie de type GEL avec un chargeur de batteries non adapté. Suivre scrupuleusement les instructions fournies du fabricant des batteries et du chargeur des batteries.

Pour ne pas provoquer des dommages permanents aux batteries, il est indispensable d'éviter la décharge complète de celle-ci, en pourvoyant à la recharge entre quelques minutes dès l'apparition du signal clignotant indiquant la décharge des batteries.

NOTE: Ne jamais laisser les batteries complètement déchargées même si la machine n'est pas utilisée. Dans le cas des batteries traditionnelles, chaque 20 recharges contrôler le niveau de l'électrolyte et éventuellement remplir avec de l'eau distillée.

**ATTENTION:**

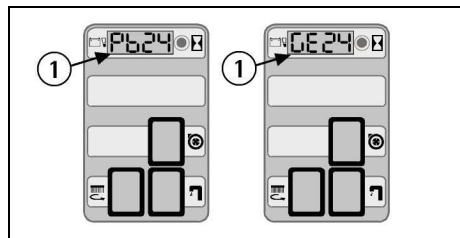
Pour la recharge journalière des batteries, il est indispensable de se conformer scrupuleusement aux instructions fournies du constructeur ou de son représentant. Toutes les opérations d'installation et de manutention doivent être réalisées par du personnel qualifié. **Danger d'inhalation de gaz et de contact avec des liquides corrosifs. Danger de feu avec des flammes: ne pas s'approcher avec des flammes.**

**ELIMINATION DES BATTERIES**

Il est obligatoire de livrer les batteries épuisées, qui sont classifiées comme déchet dangereux, à une agence autorisée aux termes de la loi pour l'élimination.

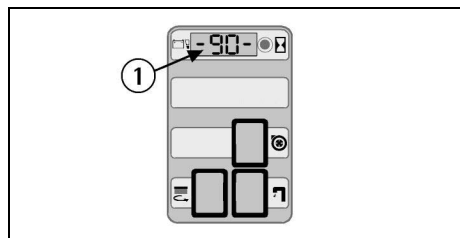
**INDICATEUR DE NIVEAU DE CHARGE BATTERIES DES L'ALLUMAGE, SUR L'INDICATEUR (1) APPARAÎT LE REGLAGE DE LA PLAQUE DES BATTERIES:**

GE 24: plaque réglée pour batteries au GEL.  
Pb 24: plaque réglée pour batteries au plomb.

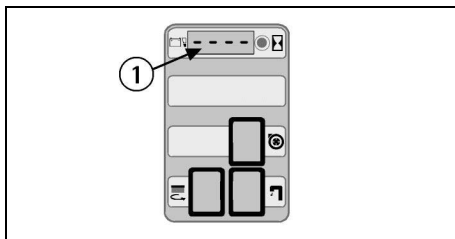


Sur l'indicateur (1) l'indication suivante du niveau de charge des batteries est digital et indique le pourcentage de charge des batteries. 90 est la charge maximale, jusqu'à un minimum de 10 en indiquant chaque diminution de 10%.

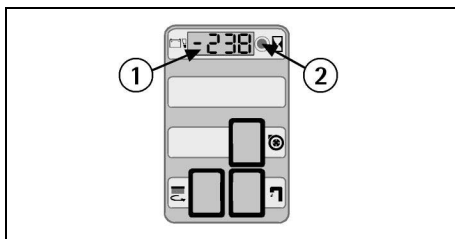
Quand la charge arrive à 10%, l'indicateur commence à clignoter, on est donc prochain à la fin du travail.

**ATTENTION:**

Dès l'apparition du "----" (quatre traits d'union) clignotants, le moteur des brosses s'arrête automatiquement. Avec la charge résiduelle, il est toutefois possible de finir le travail de séchage avant d'effectuer la recharge.

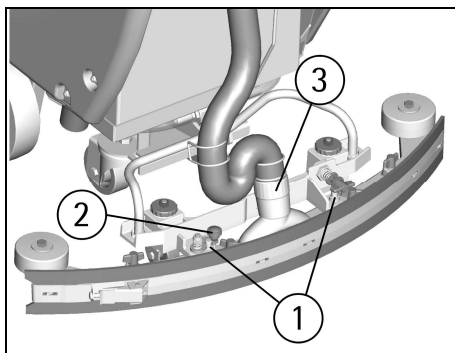
**COMPTEUR HORAIRE**

La machine est équipée avec un compteur horaire. Sa lecture est activée sur le même indicateur de charge des batteries (1) en appuyant sur le bouton poussoir (2) pour plus de trois secondes. La première lecture indique les heures travaillées et depuis quelques instants la deuxième lecture indique les minutes travaillées.

**MONTAGE DU SUCEUR**

Avec le support du suceur baissé, faire glisser les deux colonnettes (1) situées sur la partie supérieure du suceur, à l'intérieur des boutonnières présentes sur le support. Bloquer le suceur en tournant le levier (2) dans le sens des aiguilles d'une montre.

Enclencher le tuyau (3) du suceur dans son manchon, en respectant sa position comme indiquée dans la figure.

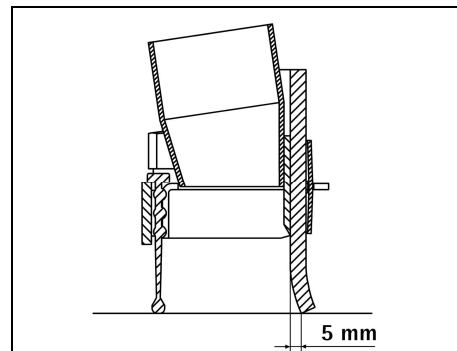
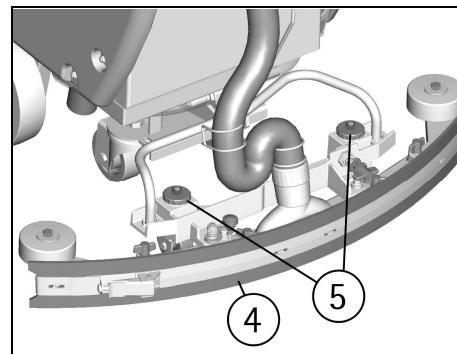
**REGLAGE DE L'HAUTEUR DU SUCEUR**

Le suceur doit être réglé en hauteur en fonction de la usure des bavettes. Afin de garantir un séchage parfait pendant l'utilisation, le bord inférieur de la bavette arrière du suceur (4) doit travailler légèrement courbé à l'arrière (vers l'opérateur) de façon uniforme et sur toute sa longueur.

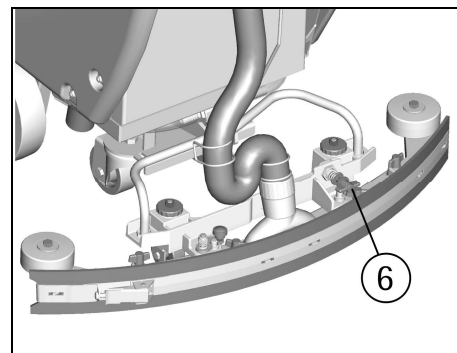
En agissant sur les deux registres (5) dans le sens des aiguilles d'une montre il est possible d'augmenter la courbure de la bavette, en agissant dans le sens inverse aux aiguilles d'une montre, il est possible de réduire la courbure de la bavette.

Une étiquette située à la proximité des deux registres (5) indique le sens de rotation pour augmenter ou réduire la hauteur.

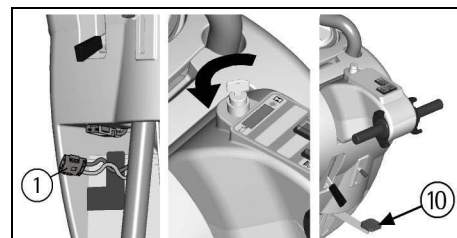
Note: Les roues du support suceur doivent être réglées par les registres (5) de la même hauteur pour que le suceur travaille parallèle au sol.

**REGLAGE DE L'INCLINAISON DU SUCEUR**

En cas de nécessité, pour augmenter la courbure de la bavette sur la partie centrale, il est nécessaire incliner le suceur en tournant dans le sens inverse aux aiguilles d'une montre le registre (6). Pour augmenter la courbure de la bavette sur les extrémités du suceur, tourner le registre dans le sens des aiguilles d'une montre.

**MONTAGE DES BROSSES**

1. Couper l'alimentation électrique au moteur des brosses en détachant le connecteur des batteries (1). Pour les machines équipées avec l'interrupteur à clef (voir dans "ENSEMBLES OPTIONNELS"), tourner la clef dans le sens inverse aux aiguilles d'une montre.  
2. En agissant sur la pédale (10) remonter l'embase.



3. Avec l'embase remonté, dévisser les deux écrous papillon (1) et depuis enlever le support latéral des brosses (2).

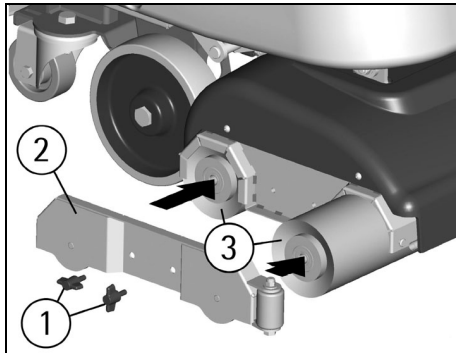
4. Enclencher les brosses (3) dans les sièges du part de l'embrayage hexagonal, en faisant attention de



trouver l'embrayage à l'extrémité opposée et de les enclencher complètement.

5. Repositionner le support latéral (2) de façon que les axes du support entrent dans les trous des roulements visibles au centre des tiges des brosses.

6. Revisser et bloquer les écrous papillon.



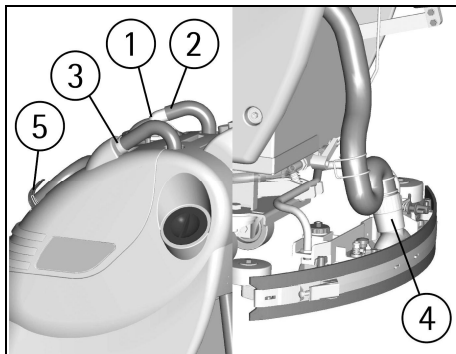
### ATTENTION:

Utiliser seulement les brosses fournies avec la machine ou lesquelles spécifiées dans le paragraphe "BROSSES CONSEILLÉES". L'utilisation des autres brosses peut compromettre la sûreté.

### RESERVOIR DE RECUPERATION

Contrôler que le couvercle du filtre d'aspiration (1) soit correctement bloqué, après avoir tourné les leviers e qu'il soit correctement connecté au tuyau du moteur d'aspiration (2).

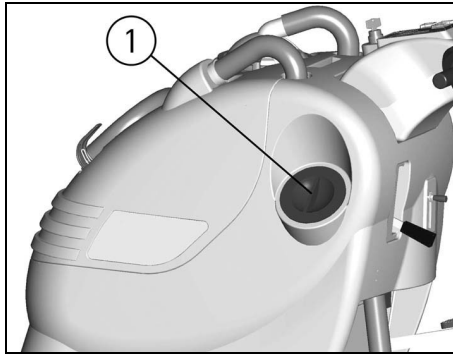
Vérifier aussi que le tuyau du suceur soit correctement enclenché dans ses sièges (3 et 4) et que le bouchon du tuyau de la vidange (5), situé dans la partie avant de la machine, soit fermé.



### RESERVOIR DE LA SOLUTION DETERGENTE

La capacité du réservoir de la solution est indiquée dans les caractéristiques techniques.

Dévisser le bouchon de remplissage (1) que se trouve à l'arrière dans le côté gauche de la machine et remplir le réservoir de la solution avec de l'eau propre, à une température inférieure à 50°C. Ajouter le détergent liquide à la concentration et avec les modalités prévues par le fabricant. Pour éviter la formation d'une quantité excessive de mousse, qui nuirait au moteur d'aspiration, utiliser un pourcentage minimum de détergent. Visser le couvercle du réservoir de la solution.



### ATTENTION:

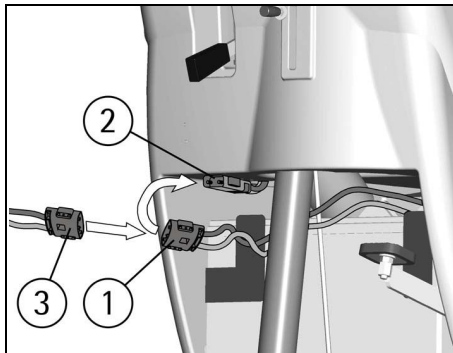
Utiliser toujours du détergent à mousse modérée. Pour éviter avec sécurité la production de la mousse, avant de commencer le travail, introduire dans le réservoir de récupération une quantité minimale de liquide antimousse.

Ne pas utiliser des acides à l'état pur.

### NETTOYAGE DES SOLS

#### CONNEXION DES BATTERIES A LA MACHINE

Connecter le connecteur des batteries (1) au connecteur de la machine (2), situé dans la partie arrière de la machine.



#### ACTIONNEMENT DE LA MACHINE

1. Pour les machines équipées avec l'interrupteur à clef (voir dans "ENSEMBLES OPTIONNELS"), tourner la clef (6) dans le sens des aiguilles d'une montre.

2. Appuyer sur l'interrupteur moteur des brosses (5).

3. Contrôler le type des batteries et l'état de charge sur l'indicateur (1).

4. Appuyer sur l'interrupteur moteur d'aspiration (3).

5. En agissant sur le levier (8) du robinet régler la quantité de la solution détergente qui devra être suffisante pour mouiller uniformément le sol en évitant l'écoulement du détergent de la protection. On vous fait remarquer que la quantité correcte de la solution détergente est toujours en fonction de la nature du sol, de l'importance de la saleté et de la vitesse.

En agissant sur cet levier, sur le tableau de bord s'allumera le témoin de signalisation du robinet ouvert (4).

Sur la machine équipée avec l'électrovanne optionnelle (voir dans "ENSEMBLES OPTIONNELS"), le débit de la solution détergente sera actionné automatiquement, une fois que le robinet est ouvert par le levier (8), en actionnant les leviers présence homme (7). En relâchant les leviers présence homme le débit d'eau s'arrête automatiquement.

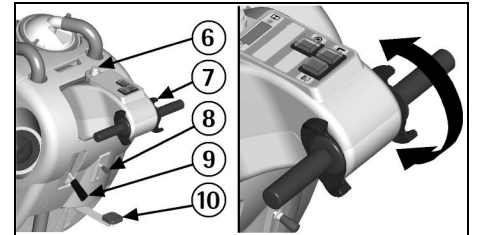
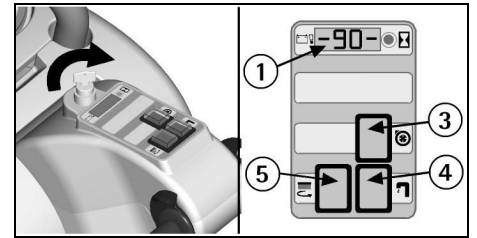
6. En agissant sur la pédale de relevage du groupe d'embase des brosses (10) faire descendre l'embase.

7. En agissant sur le levier de relevage suceur (9) baisser le suceur.

8. En actionnant les leviers présence homme (7) les brosses commenceront à tourner en transmettant à

la machine un mouvement d'avance. Le suceur commencera l'aspiration.

9. Pendant les premiers mètres contrôler que le débit de la solution détergente soit adéquat et que le réglage du suceur garanti un séchage impeccable.

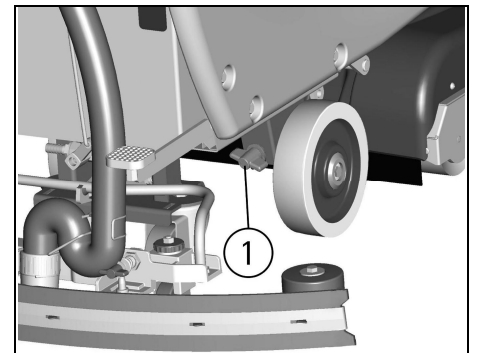


#### REGLAGE DE LA PRESSION DES BROSSES

Au moyen du registre (1) situé à l'intérieur de la roue avant droite, il est possible de régler la pression des brosses sur la surface nettoyée.

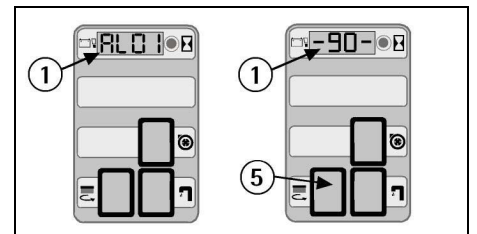
En tournant l'écrou papillon dans le sens des aiguilles d'une montre la pression augmente, en tournant l'écrou papillon dans le sens inverse aux aiguilles d'une montre la pression est réduite.

Ce dispositif permet une action de lavage plus efficace aussi sur les surfaces plus difficiles et sales.



#### DISPOSITIF DE PROTECTION SURCHARGE DU MOTEUR DES BROSSES (OPTIONNEL)

Si la machine est équipée du système de protection ampèremétrique (voir dans "ENSEMBLES OPTIONNELS"), cette système, en cas d'une surcharge prolongée du moteur des brosses, intervient en le fermant. En outre, sur l'indicateur (1) apparaît le sigle "AL01". En cas d'intervention de cet dispositif, vérifier le réglage de la pression des brosses en rapport du type de sol de nettoyer et si nécessaire, la réduire. Pour rétablir le fonctionnement du moteur des brosses, fermer l'interrupteur du moteur des brosses (5) pour quelques secondes et depuis le rallumer.



**DISPOSITIF TROP PLEIN**

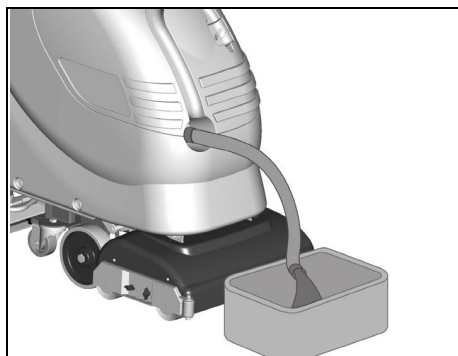
Pour éviter des dommages sérieux au moteur d'aspiration, la machine est équipée d'un flotteur qui intervient quand le réservoir de récupération est plein en provoquant la fermeture du tuyau d'aspiration et par conséquence de l'aspiration.

Dans ce cas, il est nécessaire de procéder à la vidange du réservoir de récupération.

1. Empoigner le tuyau de la vidange situé dans la partie avant de la machine.
2. Enlever le bouchon du tuyau de décharge en actionnant le levier situé sur le bouchon et vider le réservoir de récupération dans les bacs prévus, conformément aux lois en vigueur pour ce qui concerne l'élimination des liquides.

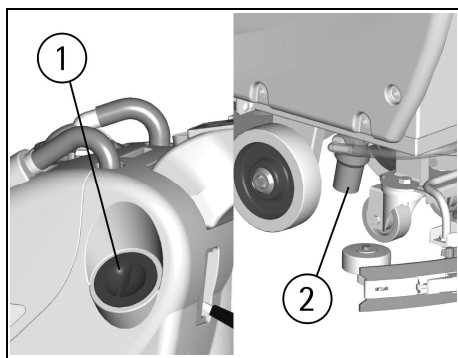
**ATTENTION:**

Cette opération doit être effectuée en utilisant des gants pour se protéger du contact avec des solutions dangereuses.

**VIDANGE DE LA SOLUTION DETERGENTE**

Pour vider la solution détergente restée dans le réservoir de la solution:

1. Amener la machine à l'endroit prévu pour la vidange de l'eau.
2. Dévisser le bouchon remplissage (1) du réservoir de la solution.
3. Dévisser le bouchon de la vidange (2).

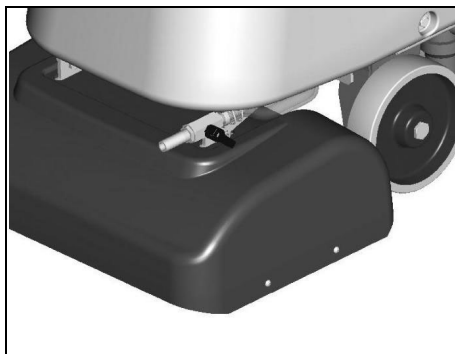
**ATTENTION:**

Cette opération doit être effectuée en utilisant des gants pour se protéger du contact avec des solutions dangereuses.

**DISPOSITIF VIDANGE DE LA SOLUTION DETERGENTE (OPTIONNEL)**

Pour récupérer la solution détergente, il est nécessaire d'utiliser le kit de la vidange et de procéder comme suit:

1. Déconnecter le tuyau.
2. Ouvrir le robinet et diriger le tuyau vers le bac prévu.
3. Quand l'opération est terminée, fermer le robinet. Accrocher le tuyau au ressort.

**ATTENTION:**

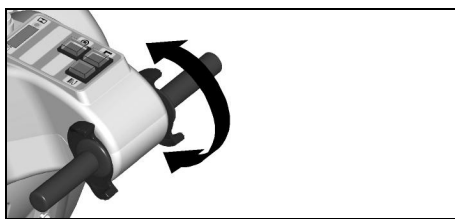
Cette opération doit être effectuée en utilisant des gants pour se protéger du contact avec des solutions dangereuses.

**AVANCE**

La traction de ces machines est obtenue au moyen des brosses qui transmettent à la machine un mouvement d'avance.

**ARRET**

Relâchant les leviers présence homme, les brosses s'arrêtent en interrompant l'avancement de la machine.

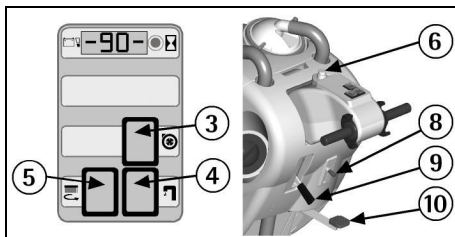
**ATTENTION:**

En effectuant des déplacements même courts en marche arrière, s'assurer que le suceur soit soulevé.

**ARRET DE LA MACHINE A LA FIN DU NETTOYAGE**

Avant d'exécuter n'importe quel type d'entretien:

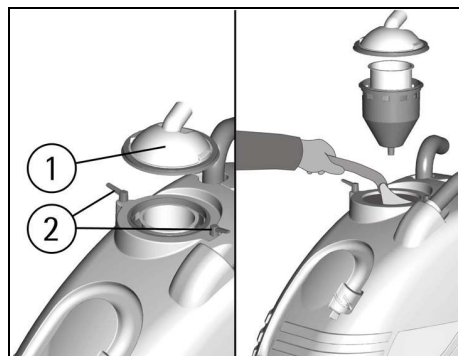
1. Fermer le robinet par le levier (8) et contrôler que le témoin de signalisation du robinet ouvert (4) s'éteint.
2. Remonter l'embase en agissant sur la pédale (10).
3. Remonter le suceur en agissant sur le levier (9).
4. Actionner l'interrupteur du moteur des brosses (5) pour le stopper.
5. Actionner l'interrupteur du moteur d'aspiration (3) pour le stopper.
6. Pour les machines équipées avec l'interrupteur à clef (voir dans "ENSEMBLES OPTIONNELS"), tourner la clef (6) dans le sens inverse aux aiguilles d'une montre.
7. Amener la machine à l'endroit prévu pour la vidange de l'eau.

**ATTENTION:**

La machine n'est pas équipée d'un frein de stationnement; éviter de la garer sur des plans inclinés.

**ENTRETIEN JOURNALIER****NETTOYAGE DU RESERVOIR DE RECUPERATION**

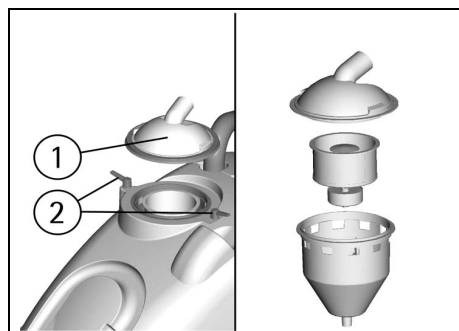
1. Empoigner le tuyau de la vidange situé dans la partie avant de la machine.
2. Enlever le bouchon de tuyau de décharge en actionnant le levier situé sur le bouchon et vider le réservoir de récupération dans les bacs prévus (voir dans "DISPOSITIF TROP PLEIN").
3. Enlever le couvercle d'aspiration (1) depuis avoir tourné les leviers (2) qui le bloquent.
4. Enlever le filtre et sa protection.
5. Rincer le réservoir avec un jet d'eau.

**ATTENTION:**

Cette opération doit être effectuée en utilisant des gants pour se protéger du contact avec des solutions dangereuses.

**NETTOYAGE DU FILTRE D'ASPIRATION**

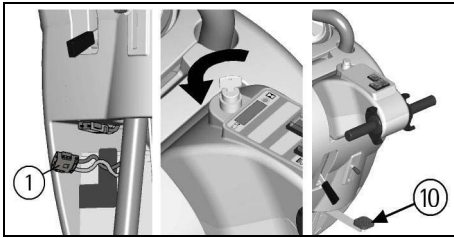
1. Enlever le couvercle d'aspiration (1) depuis avoir tourné les leviers (2) qui le bloquent.
2. Enlever le filtre et sa protection.
3. Avec un jet d'eau nettoyer tout le groupe et particulièrement les parois et le fond du filtre.
4. Faire toutes les opérations de lavage avec soin.
5. Remonter le tout.

**NETTOYAGE DES BROSSES**

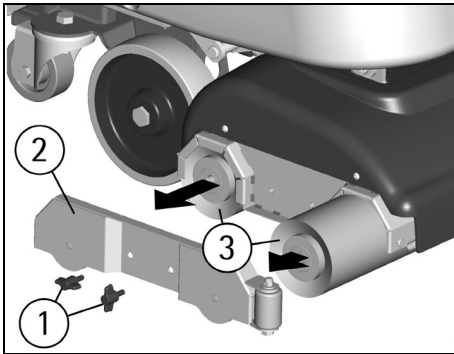
Démonter les brosses et les nettoyer avec un jet d'eau (pour le démontage des brosses voir ensuite "DEMONTAGE DES BROSSES").

**DEMONTAGE DES BROSSES**

1. Remonter l'embase en agissant sur la pédale (10).
2. Enlever l'alimentation électrique au moteur des brosses en détachant le connecteur des batteries (1). Pour les machines équipées avec l'interrupteur à clef (voir dans "ENSEMBLES OPTIONNELS"), tourner la clef dans le sens inverse aux aiguilles d'une montre.



3. Avec l'embase remonté, dévisser les deux écrous papillon (1) et depuis enlever le support latérale des brosses (2).
4. Enlever les brosses (3) des sièges du pour procéder à la nettoyage ou au remplacement.
5. Pour les remonter, enclencher de nouveau les brosses (3) dans les sièges du part de l'embrayage hexagonal, en faisant attention de trouver l'embrayage à l'extrémité opposée et de les enclencher complètement.
6. Repositionner le support latéral (2) de façon que les axes du support entrent dans les trous des roulements visibles au centre des tiges des brosses.
7. Revisser et bloquer les écrous papillon.



#### ⚠ ATTENTION:

Réaliser les opérations de démontage des brosses avec l'alimentation électrique insérée peut provoquer des graves accidents aux mains.

#### ⚠ ATTENTION:

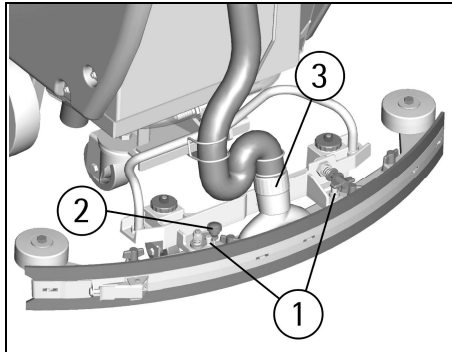
Les opérations de la manipulation des brosses doivent être effectuées en utilisant des gants appropriés pour se protéger tant mécaniquement du contact avec les brins que du risque chimique pour le contact avec des solutions dangereuses.

#### NETTOYAGE DU SUCEUR

Maintenir le suceur propre est garantie d'un séchage meilleur.

Pour sa nettoyage il est nécessaire de:

1. Enlever le tuyau du suceur (3) du manchon.
2. Démontez le suceur du support en tournant le levier (2) dans le sens inverse aux aiguilles d'une montre et en faisant glisser les colonnettes (1) dans les boutonnières correspondantes.
3. Nettoyer soigneusement l'intérieur de l'embrayage sur le suceur en éliminant éventuels déchets de sale.
4. Nettoyer soigneusement les bavettes du suceur.
5. Remonter le tout.



#### ENTRETIEN HEBDOMADAIRE

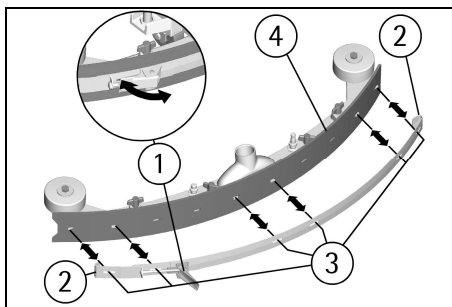
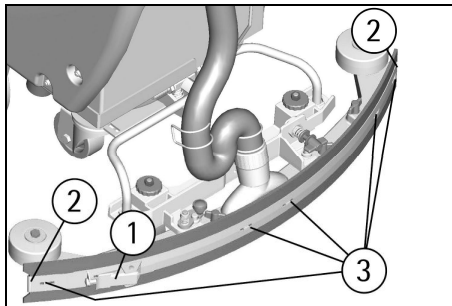
##### REPLACEMENT DE LA BAVETTE ARRIERE DU SUCEUR

Contrôler l'état d'usure de la bavette du suceur et éventuellement la tourner ou la remplacer.

Pour le remplacement il est nécessaire de:

1. Remonter le suceur en soulevant le levier (fig. 1, pos. 17).
2. Décrocher la fermeture (1) de la lame presse-bavette, dégager les extrémités (2) du corps de suceur et enlever la bavette (4).
3. Tourner le bord ou remplacer la bavette (4).

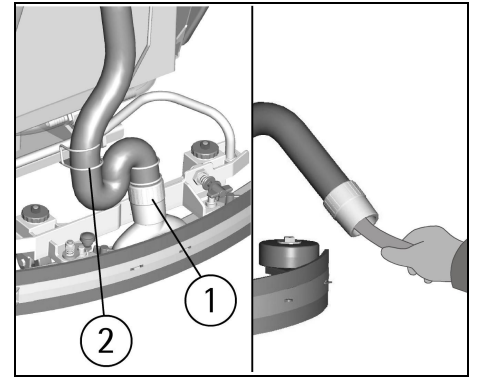
Pour remonter le suceur répéter au contraire les opérations susdites en introduisant dans les guides appropriés (3) la bavette (4) remplacée, en engageant les extrémités (2) de la lame presse-bavette sur le corps du suceur et à la fin en accrochant la fermeture (1).



##### NETTOYAGE TUYAU DU SUCEUR

Chaque semaine ou en cas d'aspiration insuffisante il est nécessaire de contrôler que le tuyau du suceur ne soit pas obstrué. Eventuellement, pour le nettoyer, procéder de la façon suivante:

1. Enlever le tuyau du manchon du suceur (1) et décrocher le ressort guide tuyau du suceur (2).
2. Laver l'intérieur du tuyau avec un jet d'eau du côté de l'insertion du suceur.
3. Pour remettre le tuyau, répéter au contraire les opérations susdites.

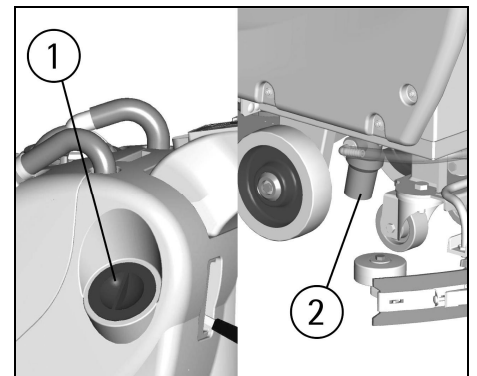


#### NETTOYAGE DU RESERVOIR SOLUTION ET FILTRE

1. Amener la machine à l'endroit prévu pour la vidange de l'eau.
2. Dévisser le bouchon de remplissage (1) du réservoir de la solution.
3. Dévisser le bouchon de vidange (2).
4. Sur les machines équipées du dispositif optionnel de vidange de la solution, il suffit ouvrir le robinet de vidange (voir dans "DISPOSITIF DE VIDANGE DE LA SOLUTION DETERGENTE").
5. Rincer avec un jet d'eau le réservoir de la solution.
6. Rincer le filtre du réservoir de la solution situé à l'intérieur du bouchon de la vidange sous la machine.
7. Remonter le tout et fermer, si présent, le robinet du dispositif de vidange.

#### ⚠ ATTENTION:

Cette opération doit être effectuée en utilisant des gants pour se protéger du contact avec des solutions dangereuses.



#### ENTRETIEN BIMESTRIEL

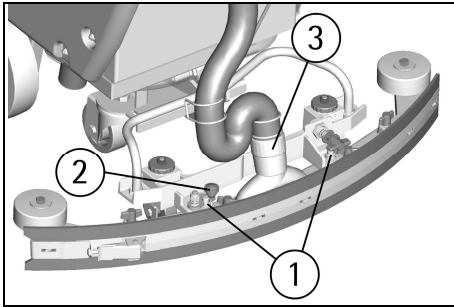
##### REPLACEMENT DE LA BAVETTE AVANT DU SUCEUR

Contrôler l'état d'usure de la bavette du suceur et éventuellement la remplacer.

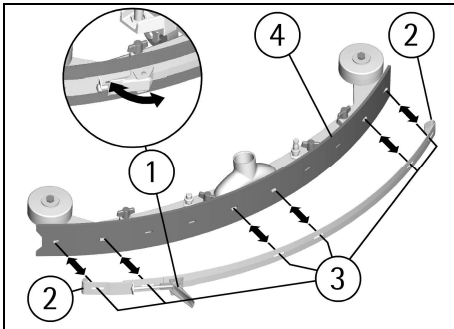
Pour le remplacement il est nécessaire de:

1. Enlever le tuyau du suceur (3) du manchon.
2. Démontez le suceur du support en tournant le levier (2) dans le sens inverse aux aiguilles d'une montre et en faisant glisser les colonnettes (1) dans les boutonnières correspondantes.

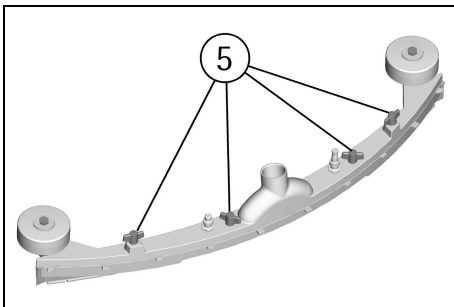




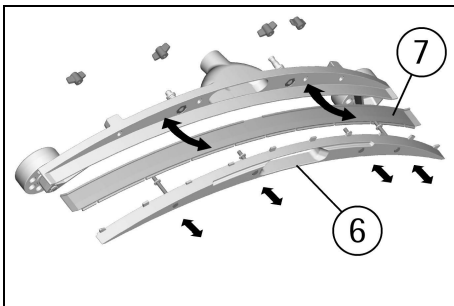
3. Décrocher la fermeture (1) de la lame presse-bavette, dégager les extrémités (2) du corps de suceur et enlever la bavette (4).



4. Dévisser les écrous papillon (5) dans la partie supérieure du suceur.



5. Enlever la partie inférieure (6) du corps de suceur pour extraire la bavette avant (7).



6. Remplacer la bavette avant.  
7. Pour remonter le suceur répéter au contraire les opérations susdites.

Le contrôle de l'état de fonctionnement de la machine vient déferé au service d'assistance technique autorisé.

## CONTROLE DE FONCTIONNEMENT

### SIGNALISATIONS SUR L'INDICATEUR

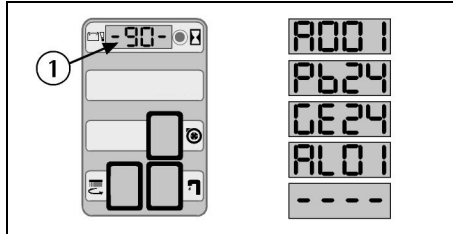
A001: Indication de la version de la plaque électronique du contrôle (le dernier chiffre indique l'indice de révision de la plaque).

Pb24: Indication plaque batteries réglée pour batteries au plomb.

GE24: Indication plaque batteries réglée pour batteries au gel.

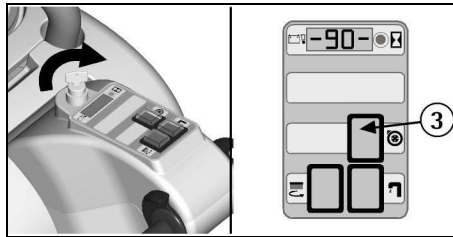
AL01: Indication d'absorption du courant excessif du moteur des brosses, seulement sur les machines équipées du dispositif pour le réglage de la pression des brosses (voir dans "ENSEMBLES OPTIONNELS").

---- (clignotant): signalisation des batteries déchargées et intervention du dispositif du bloque des brosses.



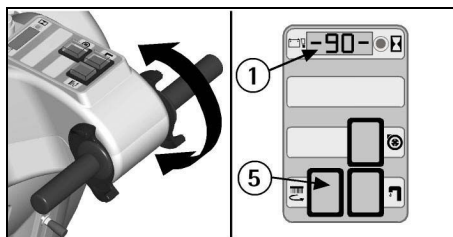
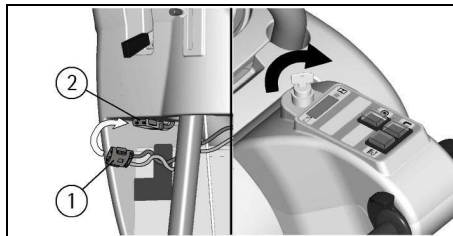
### LE MOTEUR D'ASPIRATION NE FONCTIONNE PAS

1. Vérifier que l'interrupteur (3) soit allumé.  
2. Vérifier que l'interrupteur à clef (voir dans "ENSEMBLES OPTIONNELS") soit dans la position correcte (dans le sens des aiguilles d'une montre).  
Si le problème persiste, contacter le service d'assistance technique autorisé.



### LE MOTEUR DES BROSSES NE FONCTIONNE PAS

1. Vérifier que l'interrupteur à clef (voir dans "ENSEMBLES OPTIONNELS") soit dans la position correcte (dans le sens des aiguilles d'une montre).  
2. Contrôler l'état de charge des batteries.  
3. Vérifier que le connecteur des batteries (1) soit correctement inséré.  
4. Vérifier que l'interrupteur (5) soit allumé.  
5. Actionner les leviers présence homme.  
6. Sur les machines équipées avec le dispositif de protection surcharge du moteur des brosses (voir dans "ENSEMBLES OPTIONNELS"), contrôler que sur l'indicateur (1) n'apparaît pas le sigle AL01 (alarme surcharge du moteur des brosses).  
Si le problème persiste, contacter le service d'assistance technique autorisé.



### ATTENTION:

Ne jamais laisser les batteries déchargées trop longtemps.

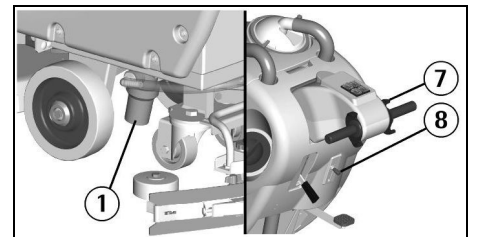
### LES MOTEURS NE FONCTIONNENT PAS

Si la machine est fournie avec le chargeur des batteries incorporé (optionnel), vérifier:

1. si on est en train de réaliser la recharge des batteries. Dans ce cas, la machine n'est pas connectée.
  2. que les interrupteurs soient allumés.
  3. que l'interrupteur à clef (voir dans "ENSEMBLES OPTIONNELS") soit dans la position correcte.
- Si le problème persiste, contacter le service d'assistance technique autorisé.

### L'EAU SUR LES BROSSES N'EST PAS SUFFISANTE

1. Contrôler que le levier du robinet (8) soit ouvert.
  2. Contrôler le niveau de liquide dans le réservoir de la solution.
  3. Contrôler que le filtre solution (1) soit propre.
  4. Si la machine est équipée avec l'électrovanne (voir dans "ENSEMBLES OPTIONNELS"), actionner les leviers présence homme (7).
- Si le problème persiste, contacter le service d'assistance technique autorisé.



### LA MACHINE NE NETTOIE PAS BIEN

1. Les brosses n'ont pas les brins de la dimension appropriée: utiliser seulement des brosses originales. Pour des suggestions, contacter le service d'assistance technique autorisé.
  2. Les brosses ont les brins usés. Contrôler l'état de détérioration des brosses et éventuellement les remplacer.
- Pour remplacer les brosses voir "DEMONTAGE DES BROSSES" et "MONTAGE DES BROSSES".
3. La solution détergente est insuffisante: augmenter l'ouverture du robinet.
  4. Contrôler que le détergent soit dans le pourcentage conseillé.
- Consulter le service d'assistance technique autorisé pour tout conseil.

### LE SUCEUR NE SECHE PAS PARFAITEMENT

1. Contrôler que les bavettes du suceur soient propres.
2. Contrôler le réglage de la hauteur et l'inclinaison du suceur (voir "SUCEUR" dans "AVANT DE L'UTILISATION").
3. Contrôler que le tuyau d'aspiration soit enclenché correctement dans le propre logement sur le réservoir de récupération.
4. Intervenir sur le filtre d'aspiration en le nettoyant.
5. Remplacer les bavettes si usées.
6. Contrôler que l'interrupteur du moteur d'aspiration soit allumé.
7. Contrôler que le réservoir de récupération soit vide.

### PRODUCTION EXCESSIVE DE MOUSSE

Contrôler qu'on a utilisé du détergent à mousse modérée. Eventuellement, ajouter une quantité minimale de liquide antimousse dans le réservoir de récupération.  
Il est bon de rappeler qu'en cas d'un sol peu sale, une quantité plus importante de mousse se formera. Dans ce cas réduire le pourcentage de la solution détergente.



## ENTRETIEN PROGRAMME

INTERVENTION	JOURNALIERE	HEBDOMADAIRE	BIMESTRIEL	SEMESTRIEL
NETTOYAGE DU RESERVOIR DE RECUPERATION	•			
NETTOYAGE DU FILTRE D'ASPIRATION	•			
NETTOYAGE DU FILTRE SOLUTION		•		
NETTOYAGE DES BROSSES	•			
DEMONTAGE DES BROSSES	•			
NETTOYAGE DU SUCEUR	•			
REPLACEMENT DE LA BAVETTE AVANT DU SUCEUR			•	
REPLACEMENT DE LA BAVETTE ARRIERE DU SUCEUR		•		
CONTROLE REGLAGE DU SUCEUR		•		
NETTOYAGE DU TUYAU SUCEUR		•		
NETTOYAGE DU RESERVOIR DE LA SOLUTION		•		
CONTROLE DE L'ELECTROLYTE DES BATTERIES		•		
CONTROLE DU MOTEUR DES BROSSES				•
CONTROLE DU MOTEUR D'ASPIRATION			•	
CONTROLE DU GROUPE D'EMBASE DES BROSSES			•	
SERRAGE DES VIS				•

## BROSSES CONSEILLEES

Les brosses doivent être choisies en fonction du type de sol et de la salissure d'enlever.  
Le matériel employé et le diamètre des brins sont les éléments qui font la différence des brosses.

MATERIEL	CARACTERISTIQUES
PPL (Polypropylène)	Bonne résistance à l'usure. Maintient les caractéristiques avec de l'eau chaude jusqu'à 60°C. Elle n'est pas hygroscopique.
NYLON	Résistance excellente à l'usure, aussi avec de l'eau supérieur à 60°C. Elle est hygroscopique. Avec le temps elle va perdre les caractéristiques physiques.
DIMENSION DES BRINS	Les brins avec un diamètre plus important sont plus rigides, par conséquent on doit les utilisés sur un sol lisse ou avec de petits joints. Sur le sol irrégulier ou avec des reliefs ou avec des gros joints il est conseillé d'utiliser des brosses plus souples parce qu'elles pénètrent plus facilement en profondeur. Se rappeler que quand les brins de la brosse sont usagés et deviennent trop courts, ils deviennent rigides et ils ne peuvent plus pénétrer et nettoyer en profondeur, même si les brins sont trop gros, la brosse a tendance de sautiller.

MACHINE	CODE	QUANTITE	DESCRIPTION
BR 18 11	48901200	2	Brosse cylindrique nylon 0,6 Ø 95x462
	48901210	2	Brosse cylindrique PPL 0,4 Ø 95x462
	48901220	2	Brosse cylindrique PPL 0,3 Ø 95x462
	48901230	2	Brosse cylindrique nylon 0,3 Ø 95x462



## Garantie limitée à long terme pour la protection des achats

Tornado Industries, Inc (Tornado) garantit au client utilisateur final que les produits Tornado seront exempts de défauts de matériaux et de fabrication pour la durée décrite ci-dessous. Cette garantie limitée **NE** couvre **PAS** les machines et/ou les composants soumis à une usure normale, des dégâts qui se produisent en cours de transport, les défaillances résultant d'une modification, un accident, un environnement d'exploitation inapproprié, une mauvaise utilisation, l'abus, la négligence ou l'entretien inapproprié. Pour plus de détails, contactez votre distributeur agréé Tornado, le Centre de service, ou le Service technique Tornado. Les représentants de vente et du service Tornado ne sont pas autorisés de supprimer ou modifier les conditions de cette garantie, ou d'augmenter les obligations de Tornado en vertu de la garantie.

**10 ans\***

Les réservoirs d'eau en plastique et les pièces moulées pour rotation

**2 ans\***

Les pièces sur tous les équipements de nettoyage Tornado

**1 an\***

Le travail sur tous les équipements de nettoyage Tornado

**1 an\***

**La garantie des batteries, un an au prorata.**

*Toutes les garanties de la batterie sont traitées directement par le fabricant de la batterie, sur une année au prorata*

### **Les conditions sont sujettes à changement sans préavis.**

1. Sauf toutes les ventilateur-sécheurs, de côté et descendant, les ventilateurs d'isolation, TV2 SS, CV 30, CV 38, CK14/1 PRO, CK14/2 PRO, SWM 31/9, CK LW 13/1, CK LW 13/1 ROAM, Double CV 38/48, PV6, PV10 PV6 ROAM, Wall Mount, de Windshear™, toutes les balayeuses-brosses, les aspirateurs à traîneau sec, et tous les chargeurs sont garantis pendant 1 (un) an pour les pièces et le travail.
2. Tous les articles des pièces non-usures acheté après l'expiration de la garantie sont garantis pendant 90 jours.
3. La garantie commence à la date de la vente au consommateur ou, à la discrétion de Tornado, 6 mois après que le concessionnaire ait acheté l'appareil de Tornado, selon la première éventualité.
4. L'EB 30 est garanti pour une période de 90 jours pour les pièces et le travail
5. La garantie pour les moteurs utilisés sur les appareils au propane est limitée à la garantie du fabricant du moteur.
6. Les laveuses à conducteur porté sont garanties pour 24 mois pour les pièces, pour 6 mois de travail ou pour 1 000 heures, selon la première éventualité.

*Note: Tornado, The Latest Dirt, Floorkeeper, Carpetkeeper, Carpetrinser, Carpetrinser/Dryer, Headmaster, Taskforce, PAC-VAC, T-Lite, Glazer, Windshear, Max-Vac, et Trot-Mop sont les marques de Tornado Industries*

**Site Web:** [www.tornadovac.com](http://www.tornadovac.com)  
Téléphone 1.800.VACUUMS  
Télécopieur: 817-551-0719  
Adresse: 3101 Wichita Court  
Fort Worth, TX 76140

Formulaire F2662. © 2017. Tous droits réservés

